



SPECIFICATION

FOR APPRONAL

Customer : _____

Product Name : Sensor _____

Model Name : VS-A1625H12R _____

Drawing No. : VS20190215007 _____

Signature of Voise

Approved by	Checkde by	Issued by	Date



福爱斯电子有限公司
VOISE ELECTRONICS CO.,LTD.

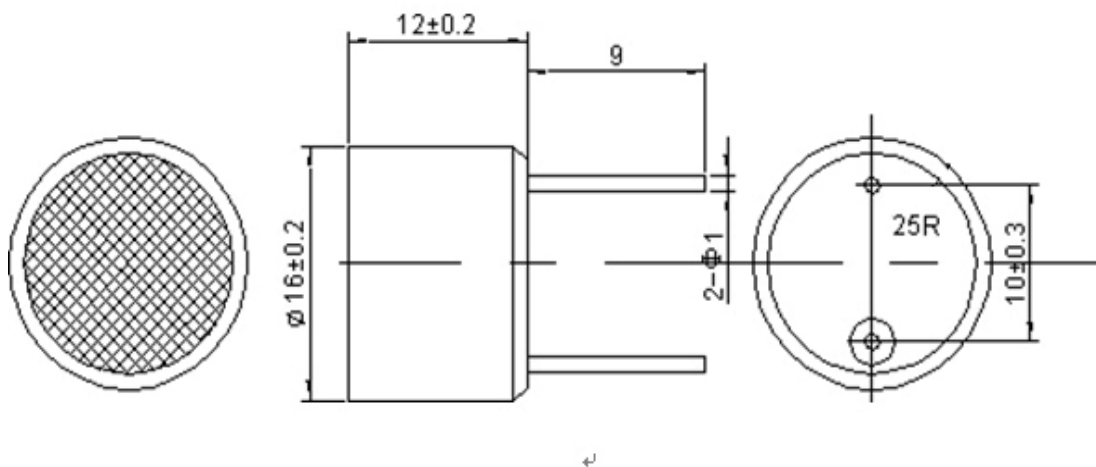
Office Add:Haoyangguang B-302# No.968 Baizhang Road,Ningbo China
Factory add: Shishan Industrial Park Moushan Town Yuyao City China
Tel:86-0574-87471601 Fax:86-0574-87471603 P.C.315000
Http://www.nbvoise.com E-mail:sales@nbvoise.com

Specification for Sensor		Page	2/4
		Revision No.	1.0
Model No.:	VS-A1625H12R	Drawing No.	VS20190215007

ELECTRICAL SPECIFICATION

No	Items	Specification
1	Construction	Open
2	Using Method	Receiver
3	Center frequency(KHz)	25 KHZ
4	Directivity	60°
5	Transmitting Sound Pressure Level	-
6	Sensitivity	≥-68dB V/u bar
7	Capacitance(pF)	2500±15% @1kHz
8	Detectable range	12 m
9	Operating Temperature	-30~ +85(°C)
10	Storage Temperature	-40~ +85(°C)
11	Housing Material	AL

APPEARANCE AND DIMENSIONS

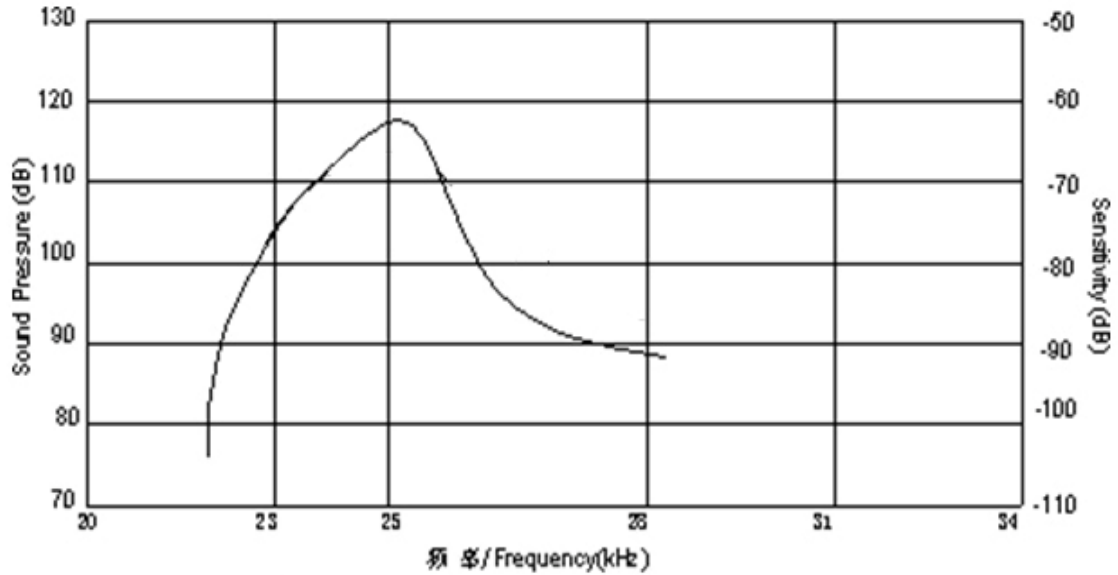


Specification for Sensor		Page	3/4
		Revision No.	1.0

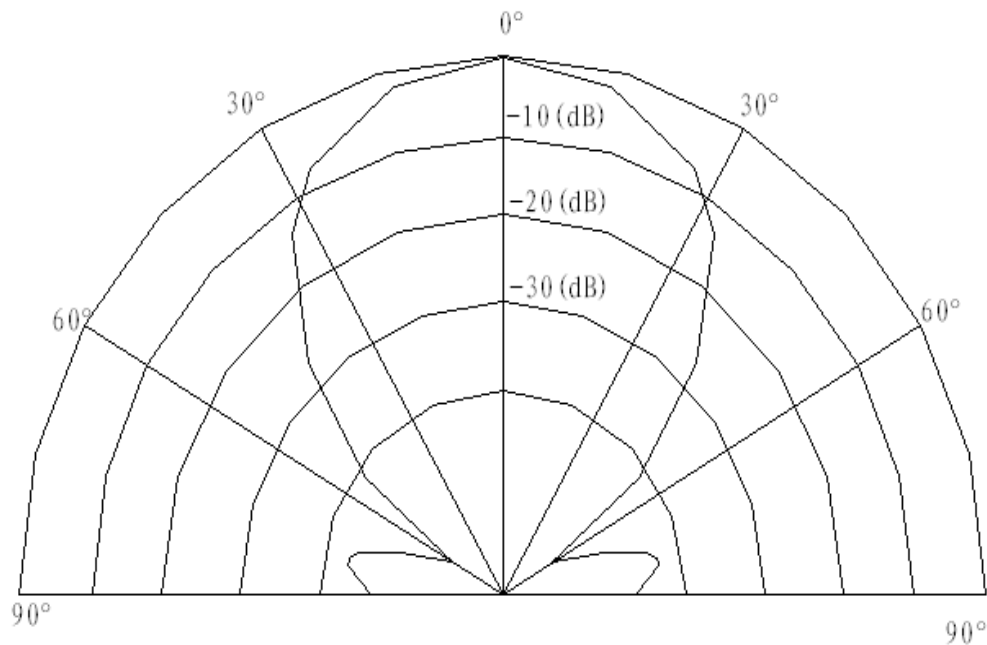
Model No.: VS-A1625H12R

REVISION NO. 1.0
Drawing No. VS20190215007

Beam Pattern



频率特性图/Frequency Characteristics



Directivity in Overall Sensitivity

Model No.: VS-A1625H12R

REVISION NO.

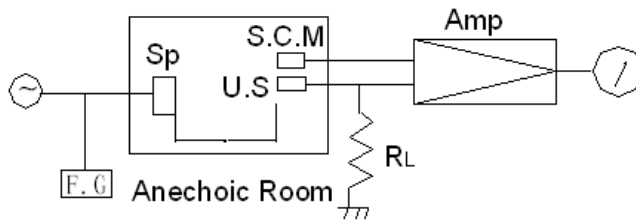
1.0

Drawing No.

VS20190215007

Test Circuit

Receiver



RL: 3.9KΩ

U.S. :Ultrasonic Sensor

S.C.M:Standard Cappacitor Microphone

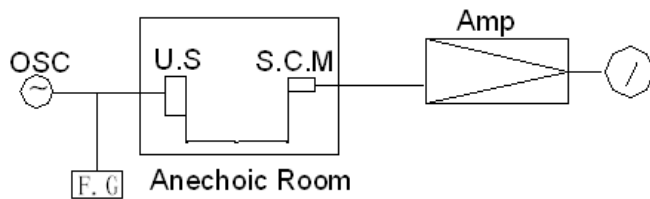
Amp. :Amplifier

OSC. :Oscillator

Sp :Tweeter

F.C. :Frequency Counter

Transmitter



U.S. :Ultrasonic Sensor

S.C.M:Standard Cappacitor Microphone

Amp. :Amplifier

Input voltage:10Vrms

F.C. :Frequency Counter