

SPECIFICATION

FOR APPROVAL

Customer : _____

Product Name : Sensor _____

Model Name : VS-A1625H12T _____

Drawing No. : VS20190215006 _____

Signature of Voise

Approved by	Checkde by	Issued by	Date



福爱斯电子有限公司
VOISE ELECTRONICS CO.,LTD.

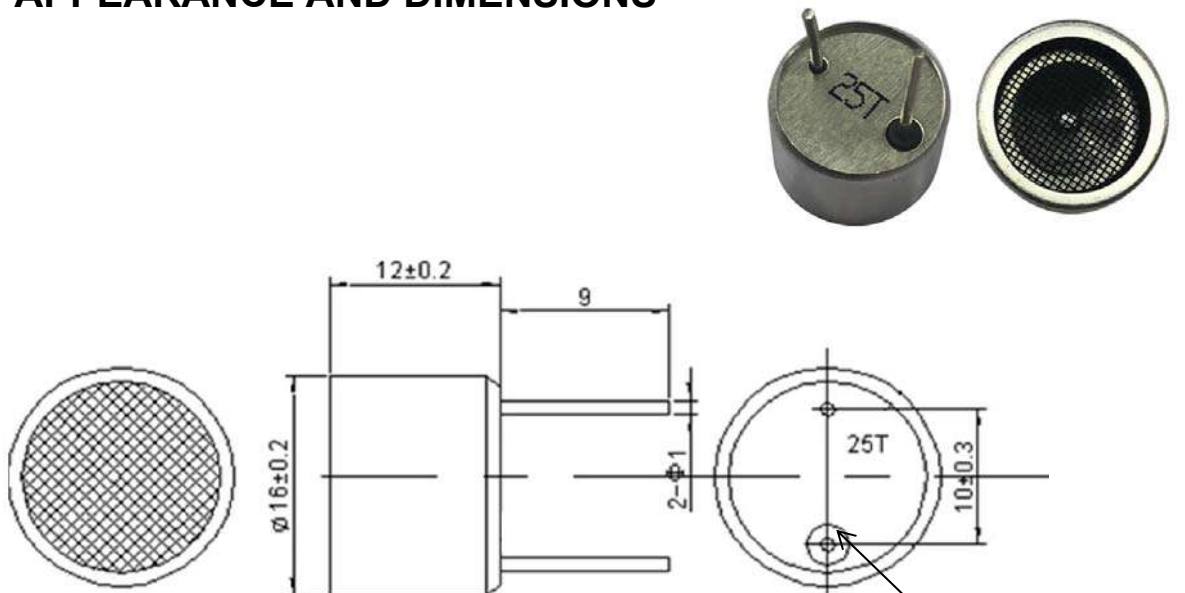
Office Add:Haoyangguang B-302# No.968 Baizhang Road,Ningbo China
Factory add: Shishan Industrial Park Moushan Town Yuyao City China
Tel:86-0574-87471601 Fax:86-0574-87471603 P.C.315000
Http://www.nbvoise.com E-mail:sales@nbvoise.com

Specification for Sensor		Page	2/4
		Revision No.	1.1
Model No.:	VS-A1625H12T	Drawing No.	VS20190215006

ELECTRICAL SPECIFICATION

No	Items	Specification
1	Construction	Open
2	Using Method	Transmitter
3	Center frequency(KHz)	25 KHZ
4	Directivity	60°
5	Transmitting Sound Pressure Level	≥ 115dB (10V/30cm/sine wave)
6	Impedance	600±20%
7	Capacitance(pF)	2500±25% @1kHz
8	Allowable Maximum Input Voltage(Vp-p)	120V (25KHz)
9	Detectable range	12 m
10	Operating Temperature	-30~ +85(°C)
11	Storage Temperature	-40~ +85(°C)
12	Material	AL(Silver)

APPEARANCE AND DIMENSIONS

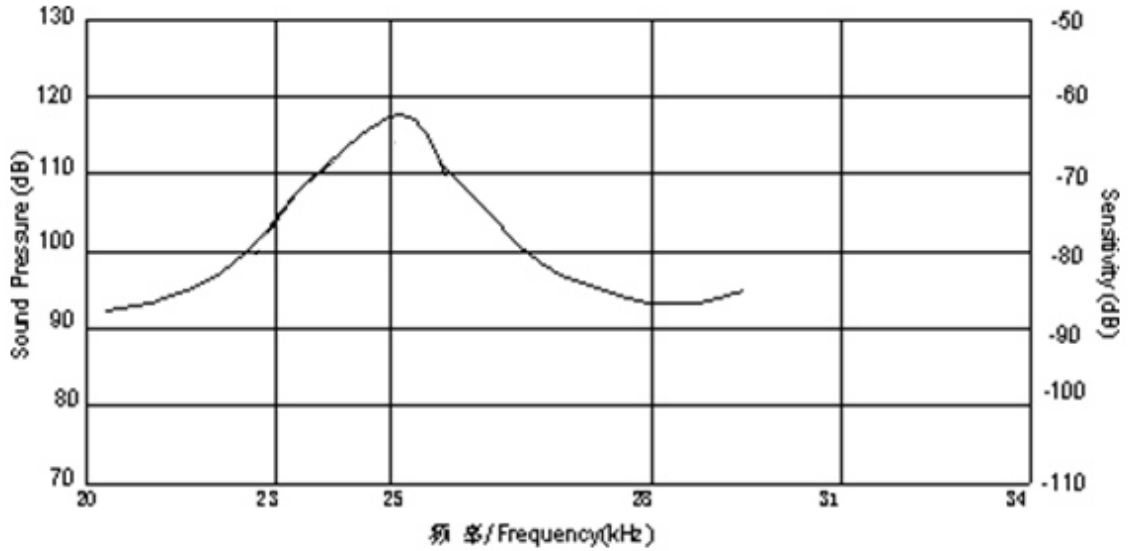


Big black spot- "+"

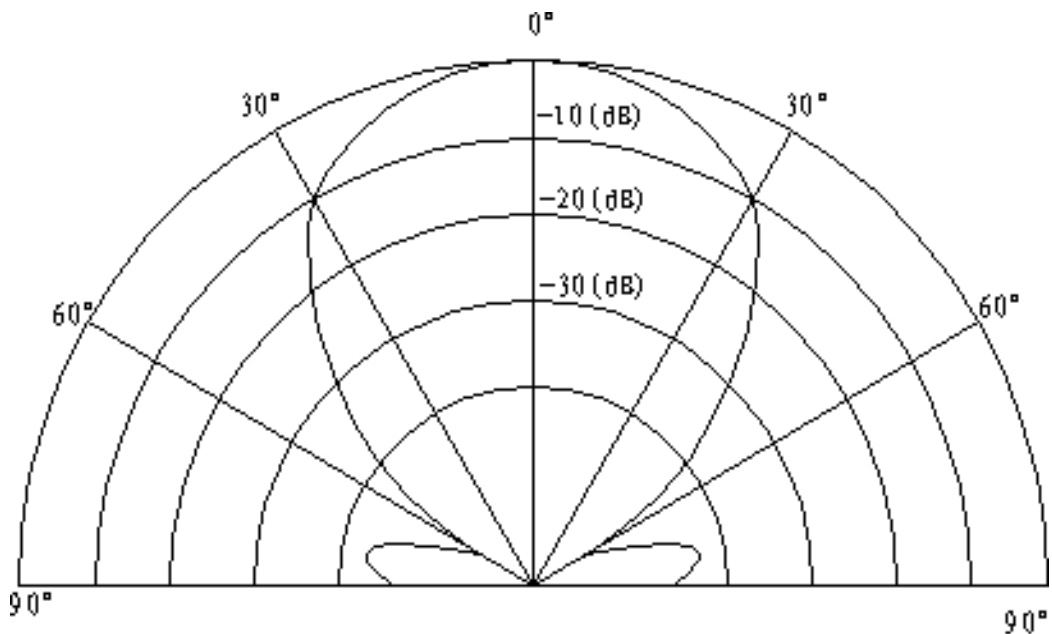
Unspecified tolerance: ±0.5mm

Specification for Sensor		Page	3/4
		Revision No.	1.1
Model No.:	VS-A1625H12T	Drawing No.	VS20190215006

Beam Pattern



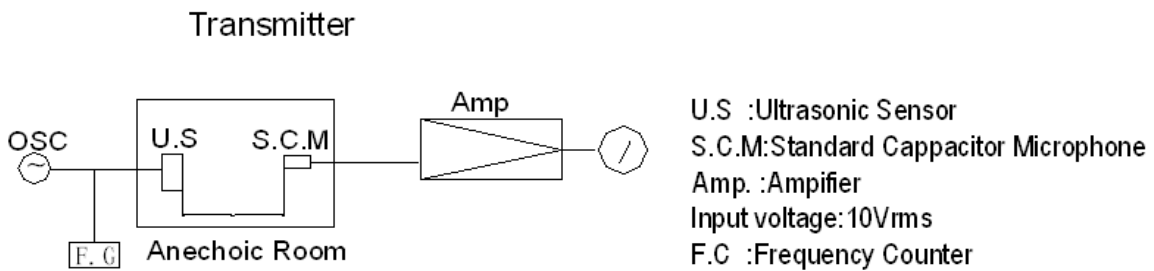
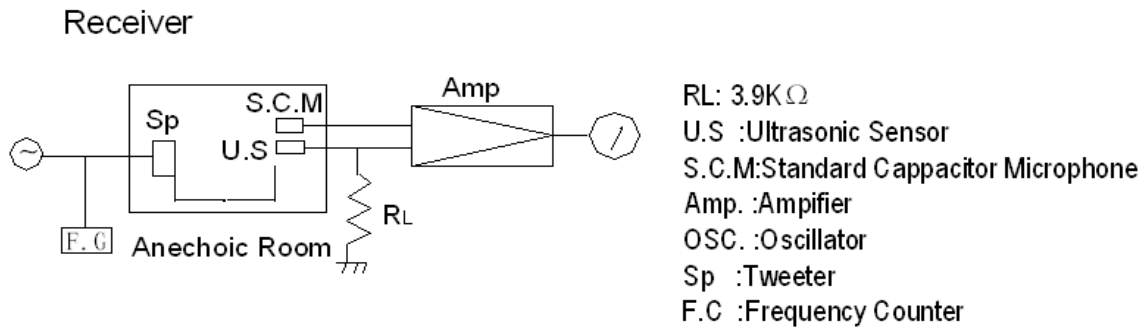
频率特性图/Frequency Characteristics



Directivity in Overall Sensitivity

Specification for Sensor		Page	4/4
		Revision No.	1.1
Model No.:	VS-A1625H12T	Drawing No.	VS20190215006

Test Circuit



Revision

Rev.No.	Date	Page	Description of Revision
1.0	2019/2/15		Preliminary
1.1	2021/9/7		Add positive and negative poles,Big black spot-“+”