



# SPECIFICATION

## FOR APPRONAL

Customer : \_\_\_\_\_

Product Name : Sensor \_\_\_\_\_

Model Name : VS-A2523H12TWP \_\_\_\_\_

Drawing No. : VS20190820012 \_\_\_\_\_

### Signature of Voise

| Approved by | Checkde by | Issued by | Date |
|-------------|------------|-----------|------|
|             |            |           |      |



福爱斯电子有限公司  
VOISE ELECTRONICS CO.,LTD.

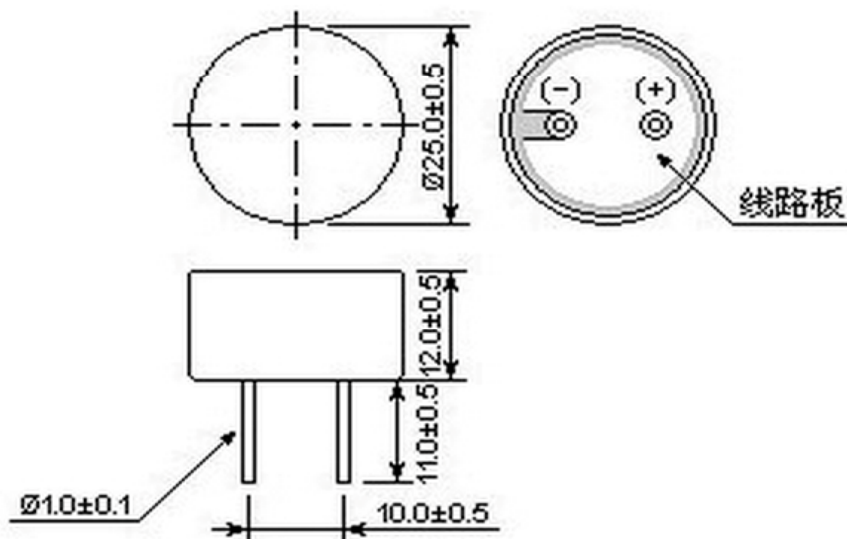
Office Add:Haoyangguang B-302# No.968 Baizhang Road,Ningbo China  
Factory add: Shishan Industrial Park Moushan Town Yuyao City China  
Tel:86-0574-87471601 Fax:86-0574-87471603 P.C.315000  
Http://www.nbvoise.com E-mail:sales@nbvoise.com

|                          |                |              |               |
|--------------------------|----------------|--------------|---------------|
| Specification for Sensor |                | Page         | 2/3           |
|                          |                | Revision No. | 1.0           |
| Model No.:               | VS-A2523H12TWP | Drawing No.  | VS20190820012 |

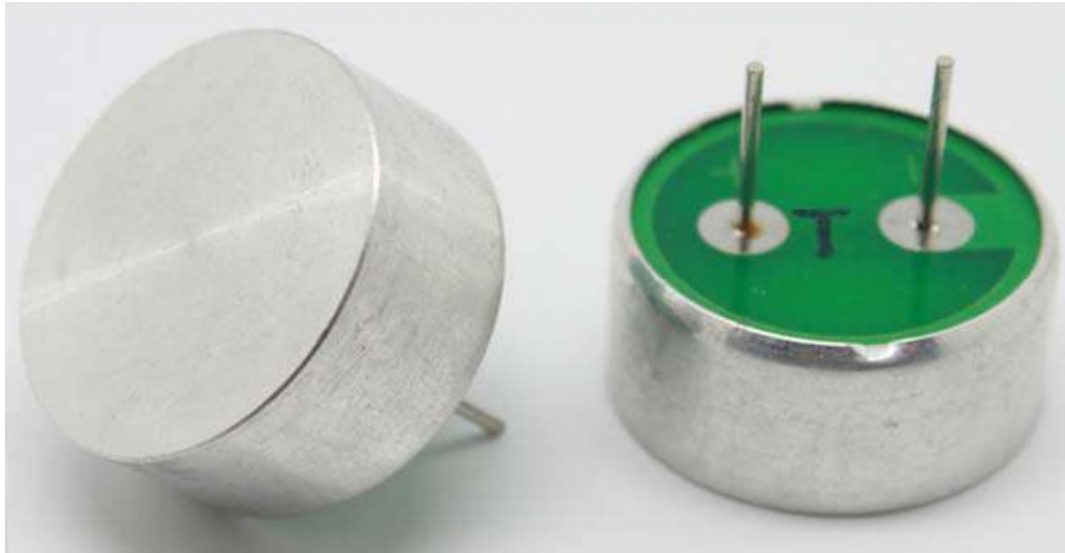
## ELECTRICAL SPECIFICATION

| No | Items                             | Specification               |
|----|-----------------------------------|-----------------------------|
| 1  | Construction                      | Water Proof -close type     |
| 2  | Using Method                      | Transmitter                 |
| 3  | Center frequency                  | 23±1.0KHz                   |
| 4  | Directivity                       | 35°                         |
| 5  | Transmitting Sound Pressure Level | ≥115dB (10V/30cm/sine wave) |
| 6  | Sensitivity                       | -                           |
| 7  | Capacitance                       | 2500±20%pF @1kHz            |
| 8  | Allowable Maximum Input Voltage   | 180Vp-p                     |
| 9  | Detectable range                  | 5 m                         |
| 10 | Operating Temperature             | -40~ +80(°C)                |
| 11 | Storage Temperature               | -40~ +85(°C)                |
| 12 | Material                          | AL                          |

## APPEARANCE AND DIMENSIONS

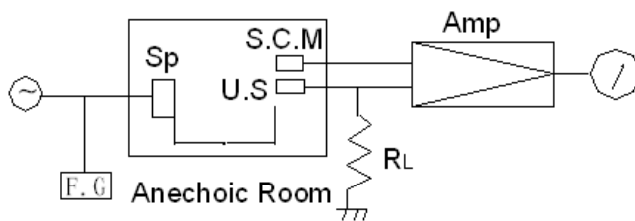


|                          |                |              |               |
|--------------------------|----------------|--------------|---------------|
| Specification for Sensor |                | Page         | 3/3           |
|                          |                | Revision No. | 1.0           |
| Model No.:               | VS-A2523H12TWP | Drawing No.  | VS20190820012 |



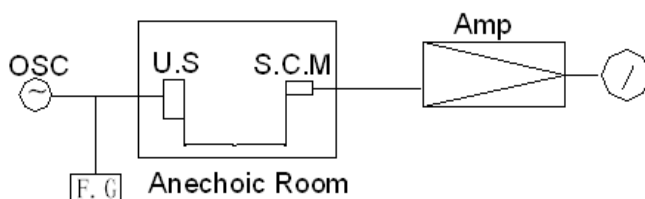
### Test Circuit

#### Receiver



RL: 3.9KΩ  
 U.S :Ultrasonic Sensor  
 S.C.M:Standard Cappacitor Microphone  
 Amp. :Amplifier  
 OSC. :Oscillator  
 Sp :Tweeter  
 F.C :Frequency Counter

#### Transmitter



U.S :Ultrasonic Sensor  
 S.C.M:Standard Cappacitor Microphone  
 Amp. :Amplifier  
 Input voltage:10Vrms  
 F.C :Frequency Counter