

SPECIFICATION

FOR APPROVAL

Customer : _____

Product Name : Ultrasonic Sensor

Model Name : VS-P1623H12T

Drawing No. : VS20201027016

Signature of Voise

| Approved by | Checkde by | Issued by | Date |
|-------------|------------|-----------|------|
| | | | |



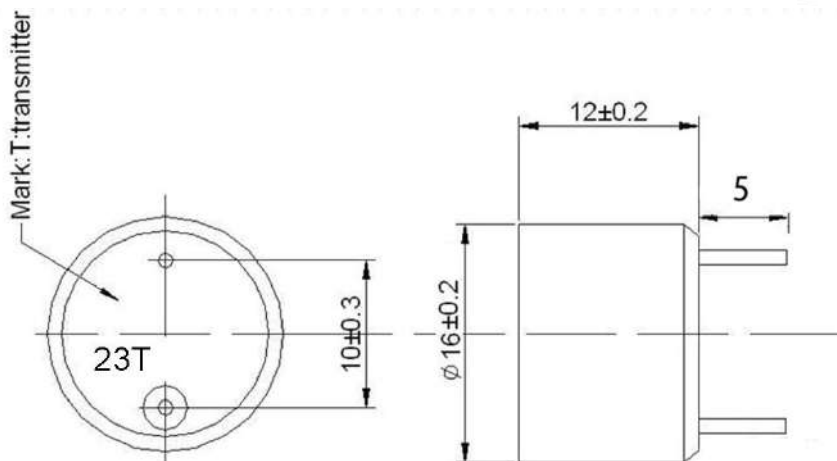
Office Add:Haoyangguang B-302# No.968 Baizhang Road,Ningbo China
Factory add: Shishan Industrial Park Moushan Town Yuyao City China
Tel:86-0574-87471601 Fax:86-0574-87471603 P.C.315000
Http://www.nbvoise.com E-mail:sales@nbvoise.com

| | | | |
|---------------------------------|--------------|--------------|---------------|
| Specification for Sensor | | Page | 2/4 |
| | | Revision No. | 1.1 |
| Model No.: | VS-P1623H12T | Drawing No. | VS20201027016 |

ELECTRICAL SPECIFICATION

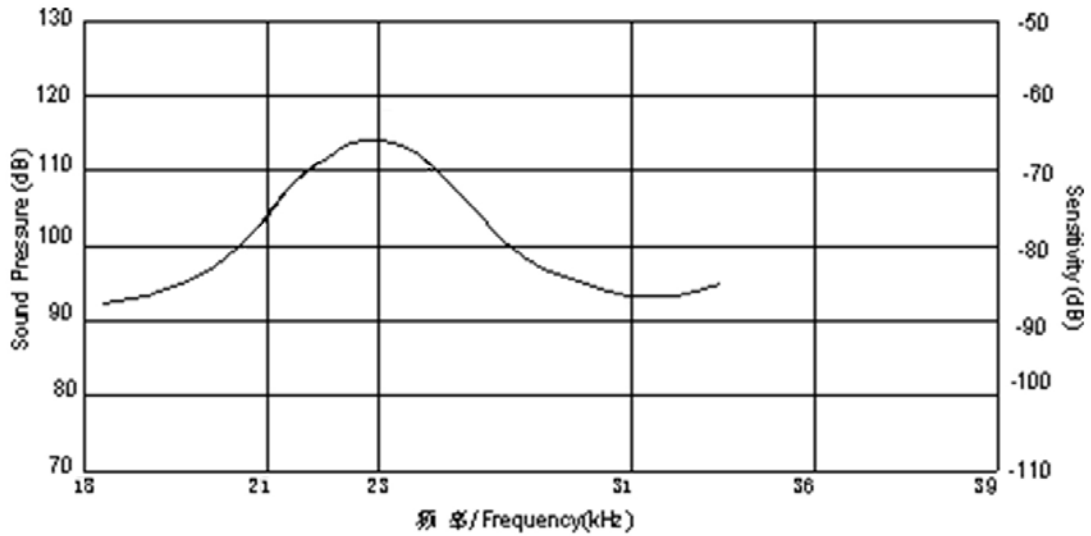
| No | Items | Specification |
|----|---------------------------------------|------------------------------|
| 1 | Construction | Open |
| 2 | Using Method | Transmitter |
| 3 | Center frequency(KHz) | 23 ±1kHz |
| 4 | Directivity | 80°±15° |
| 5 | Transmitting Sound Pressure Level | ≥ 115dB (10V/30cm/sine wave) |
| 6 | Sensitivity | |
| 7 | Capacitance(pF) | 2600±20% @1kHz |
| 8 | Allowable Maximum Input Voltage(Vp-p) | 150 (40KHz) |
| 9 | Detectable range | 12 m |
| 10 | Operating Temperature | -30~ +70(°C) |
| 11 | Storage Temperature | -40~ +85(°C) |
| 12 | Material | Plastic |

APPEARANCE AND DIMENSIONS

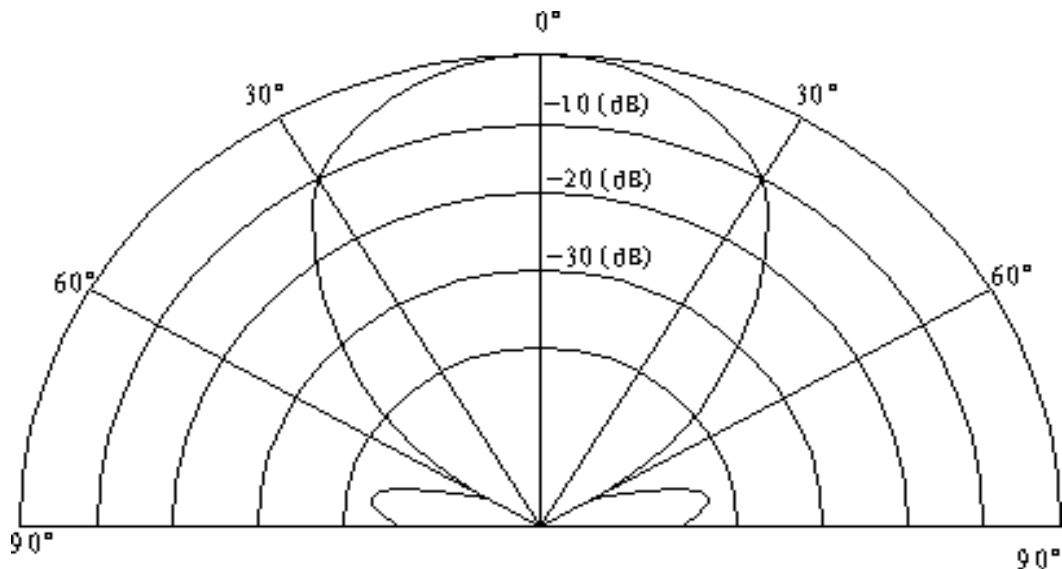


| | | | |
|---------------------------------|--------------|--------------|---------------|
| Specification for Sensor | | Page | 3/4 |
| | | Revision No. | 1.1 |
| Model No.: | VS-P1623H12T | Drawing No. | VS20201027016 |

Beam Pattern



频率特性图/Frequency Characteristics

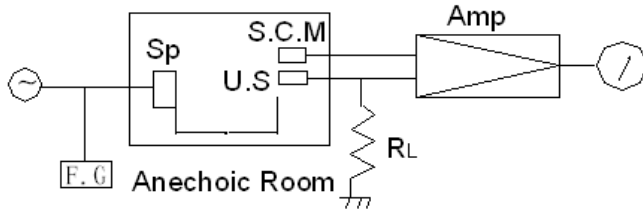


Directivity in Overall Sensitivity

| | | | |
|---------------------------------|--------------|--------------|---------------|
| Specification for Sensor | | Page | 4/4 |
| | | Revision No. | 1.1 |
| Model No.: | VS-P1623H12T | Drawing No. | VS20201027016 |

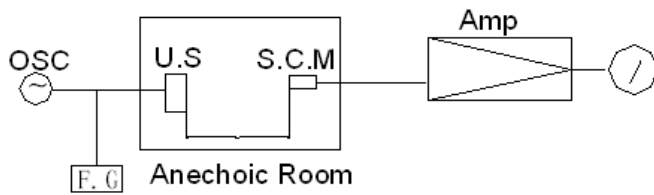
Test Circuit

Receiver



RL: 3.9KΩ
 U.S. :Ultrasonic Sensor
 S.C.M:Standard Cappacitor Microphone
 Amp. :Ampifier
 OSC. :Oscillator
 Sp :Tweeter
 F.C :Frequency Counter

Transmitter



U.S :Ultrasonic Sensor
 S.C.M:Standard Cappacitor Microphone
 Amp. :Ampifier
 Input voltage:10Vrms
 F.C :Frequency Counter

Revision

| Rev.No. | Date | Page | Description of Revision |
|---------|------------|------|-------------------------|
| 1.0 | 2020/10/26 | | Preliminary |
| 1.1 | 2020/11/17 | | Pin 10mm->5mm |
| | | | |
| | | | |
| | | | |
| | | | |
| | | | |