



SPECIFICATION

FOR APPRONAL

Customer : _____

Product Name : Dynamic Speaker _____

Model Name : VS1026R8P0.3F1100 _____

Drawing No. : VS20160407012 _____

Signature of Voise

Approved by	Checkde by	Issued by	Date



福爱斯电子有限公司
VOISE ELECTRONICS CO.,LTD.

Office Add:Haoyangguang B-302# No.968 Baizhang Road,Ningbo China

Factory add: Shishan Industrial Park Moushan Town Yuyao City China

Tel:86-0574-87471601 Fax:86-0574-87471600 P.C.315040

Http://www.nbvoise.com E-mail:sales@nbvoise.com

Specification for Dynamic Speaker		Page	3/8
		Revision No.	1.0
Model No.:	VS1026R8P0.3F1100	Drawing No.	VS20160407012

2. Scope

This document contains required environmental, electrical, acoustic, mechanical, package and reliability test requirement

3. General Characteristics

- 2.1 Out-Diameter : 10 mm
- 2.2 Height : 2.6 mm
- 2.3 Weight : 1 g
- 2.4 Operating Temperature : -30~+70°C without loss of function
- 2.5 Store Temperature : -40~+80°C without loss of function

4. Electrical and Acoustic Characteristics.

Test condition : 15 ~ 35 °C Temp., 25% ~ 75% RH, 86~106 kPa Refer to IEC60268-1

No	Items	Specification
1	Impedance	8 Ω ± 15% (1Vrms at 2KHz)
2	Sound Pressure Level	86 dB ± 3dB at 0.1w/0.1m at 1.0,1.2,1.5,2.0kHz Ave.
3	Resonance Frequency(fo)	1100 Hz ± 20% at 1V
4	Frequency Range	F0~20KHz
5	Input Power	Rated 0.3 W / Max. 0.5 W
6	Distortion	<5% at 1KHz, 1Vrms input
7	Buzz and Rattle	Should not be audible buzzes, rattles when the 1.55V sine wave signal swept at frequency range.
8	Polarity	When a positive DC current is applied to the voice coil terminal marked (+), the diaphragm shall move to forward.



Specification for Dynamic Speaker		Page	4/8
		Revision No.	1.0
Model No.:	VS1026R8P0.3F1100	Drawing No.	VS20160407012

5. Reliability Test

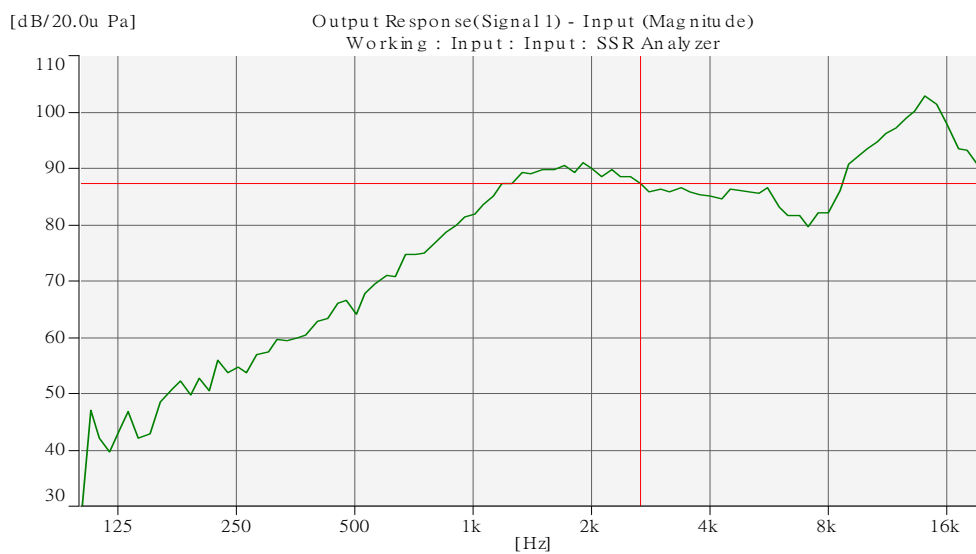
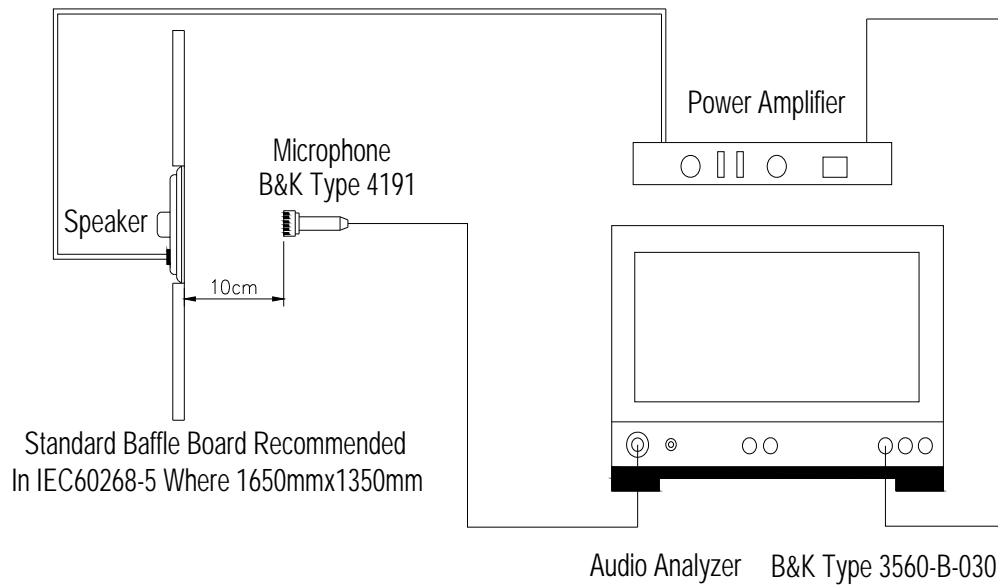
After test(1~7item), the speaker S.P.L . difference shall be within $\pm 3\text{dB}$, and the appearance not exist any change to be harmful to normal operation

No	Items	Specification
1	High Temp.Test	Keep 100 hours at $+70\pm 3\text{ }^\circ\text{C}$,and leave 4 hours in normal temperature and then check.
2	Low Temp.Test	Keep 100 hours at $-30\pm 3\text{ }^\circ\text{C}$,and leave 4 hours in normal temperature and then check.
3	Humidity Test	Keep 100 hours at $-30\pm 3\text{ }^\circ\text{C}$,relative humidity 85 to 90% and leave 4 hours in normal temperature and then check.
4	Thermal Shock Test	Each temperature cycle shall consist of 2 hours at $+25\pm 3\text{ }^\circ\text{C}$ followed by 2hours at $+70\pm 3\text{ }^\circ\text{C}$,and followed by 2hours at $-30\pm 3\text{ }^\circ\text{C}$ with a 20 to 40 minutes transition time between each 2 temperature extremes. The test duration is for 10 cycle.
5	Vibration Test	Being applied vibration of amplitude of 1.5mm with 10-55-10Hz band of vibration frequency,X.Y.Z.3 direction.2 hours each, total 6 hours.
6	Drop Test	Free drop fram 1.0 meter height to a board 20mm thick hard wood board. and be nothing mechanical damage. tatol 6 times.
7	Load test	Loading white noise with input rate power for 100 hours, then placed in natural condition for 1 hour and then check.
8	Insulation test	When they are measured with DC 100V the insulation resistance between v.c. terminal and frame must be more than $1\text{ M}\Omega$

Specification for Dynamic Speaker		Page	5/8
		Revision No.	1.0
Model No.:	VS1026R8P0.3F1100	Drawing No.	VS20160407012

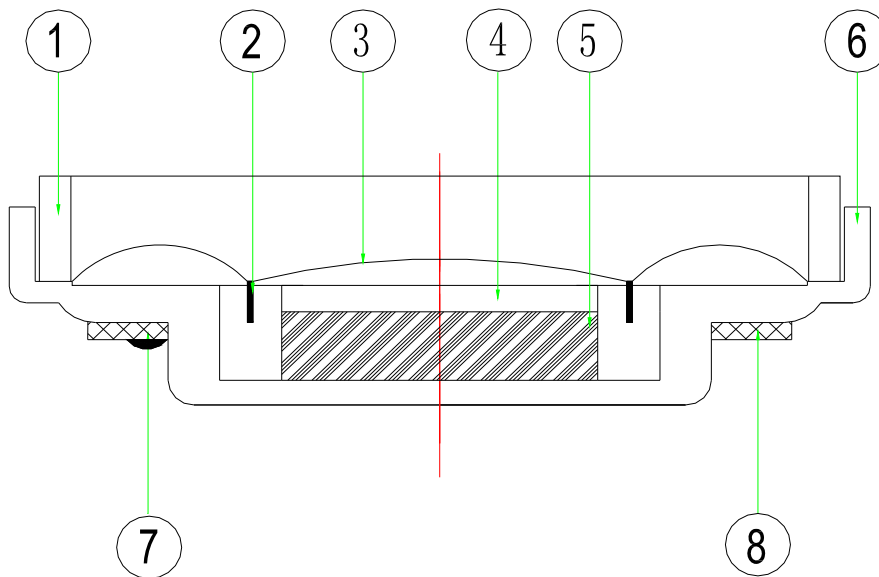
6. Measurement Method & Frequency Response curve

Standard test condition of speaker



Specification for Dynamic Speaker		Page	6/8
		Revision No.	1.0
Model No.:	VS1026R8P0.3F1100	Drawing No.	VS20160407012

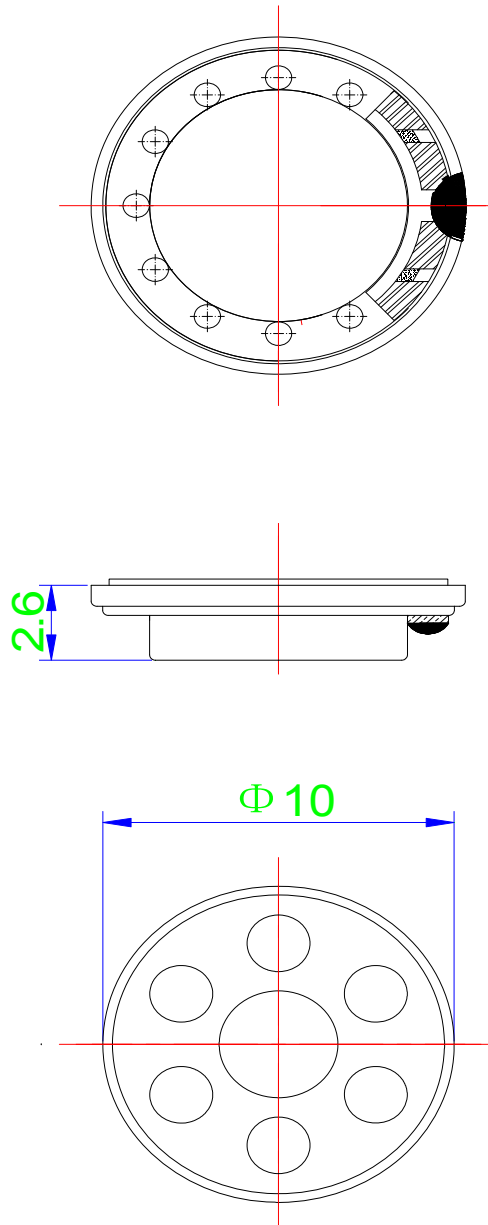
7. Mechanical layout



9	Wire	2	UL1751 32AWG	
8	Screen	1	2B	
7	Terminal	1	FR-4	
6	Frame	1	PBT	
5	Magnet	1	Nd-Fe-B	
4	Plate	1	SPCC	
3	Diaphragm	1	Mylar	
2	Voice Coil	1	Copper	
1	front cap	1	SUS304	
No.	Part Name	Q'ty	Material	Remarks

Specification for Dynamic Speaker		Page	7/8
		Revision No.	1.0
Model No.:	VS1026R8P0.3F1100	Drawing No.	VS20160407012

8. Dimensions



FIRST ANGLE PROJECTION

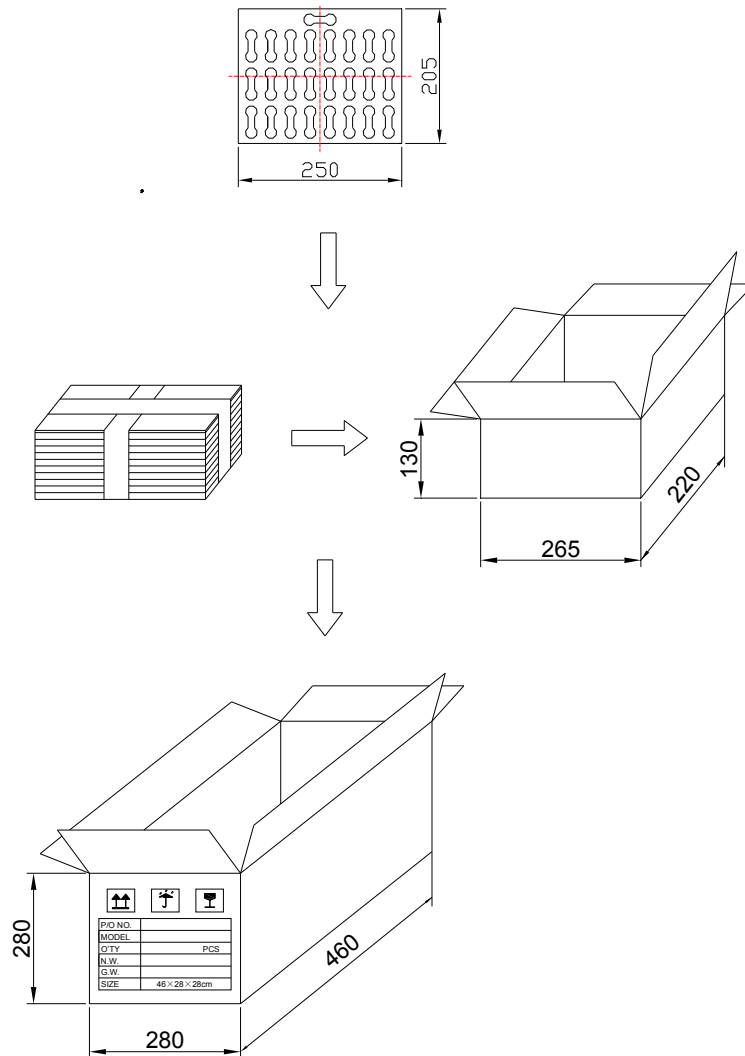


UNIT : mm

Tolerance : ± 0.2

Specification for Dynamic Speaker		Page	8/8
		Revision No.	1.0
Model No.:	VS1026R8P0.3F1100	Drawing No.	VS20160407012

9. Packing



50 pcs per tray
 10 trays for unit, 500 pcs per cartc
 Total:2000 pcs per box
 Size:46×28×28cm