

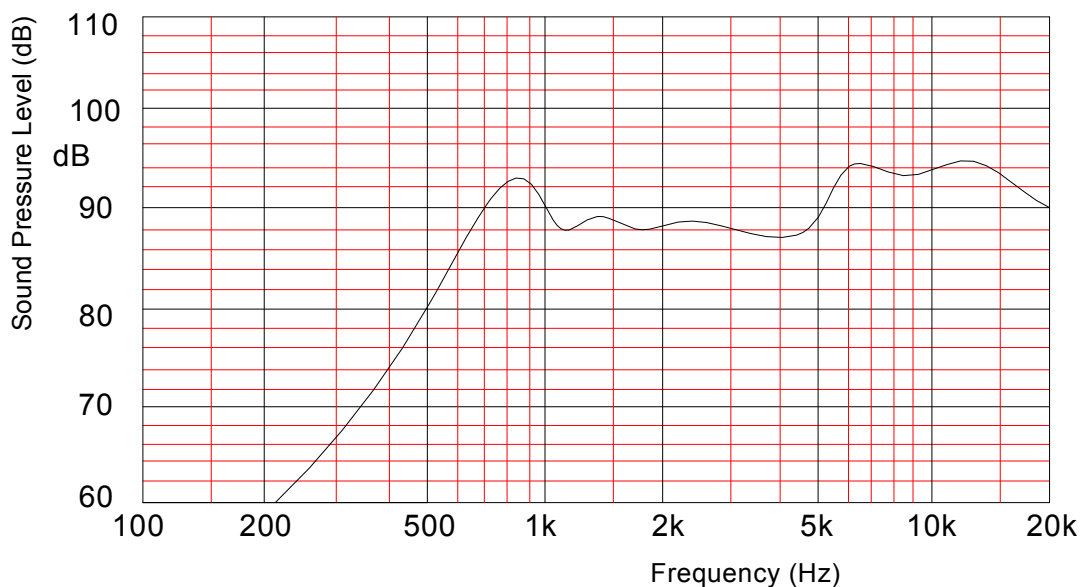
Specification for Speaker

Model No.	VS1634R8F900P05	Drawing No.	VS20181129002
Customer	Quartz1		

SPEC

NO.	Items	Specification	Test Condition
1	Impedance	$8\Omega \pm 15\%$	at 1Vrms,2kHz
2	Resonant Fr. (fo)	900Hz $\pm 20\%$	
3	Frequency Range	F0-20KHz	
4	Rated Power	0.5W	
5	Max Power	0.8W	
6	S.P.L.	88dB ± 3 dB	(0.1W/0.1M at 0.8,1.0,1.2,1.5kHz average)
7	Distortion	<10% Max.	at 2kHz/2Vrms
8	Sweep Test	must be normal	at sine wave 2.0 V
9	Load Test	after test meet item 8	rated white noise power, 96 Hrs.
10	Heat Test	after test meet item 8	+60 ± 2 °C 20~50% 96Hrs.
11	Cold Test	after test meet item 8	-20 ± 3 °C 96Hrs.
12	Humidity Test	after test meet item 8	+40 ± 2 °C,90~95% 96Hrs.
13	Weight	2.2 $\pm 5\%$ g	
14	Polarity Test	with positive D.C. voltage to (+) terminal, the cone shall move forward.	
15	Note		

Frequency Response Curve

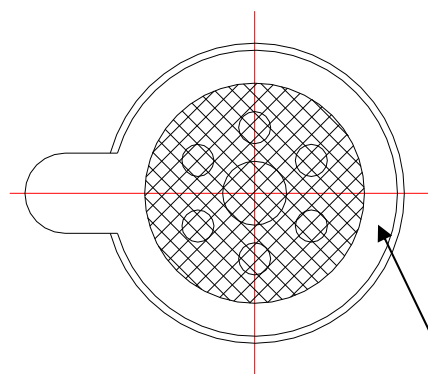
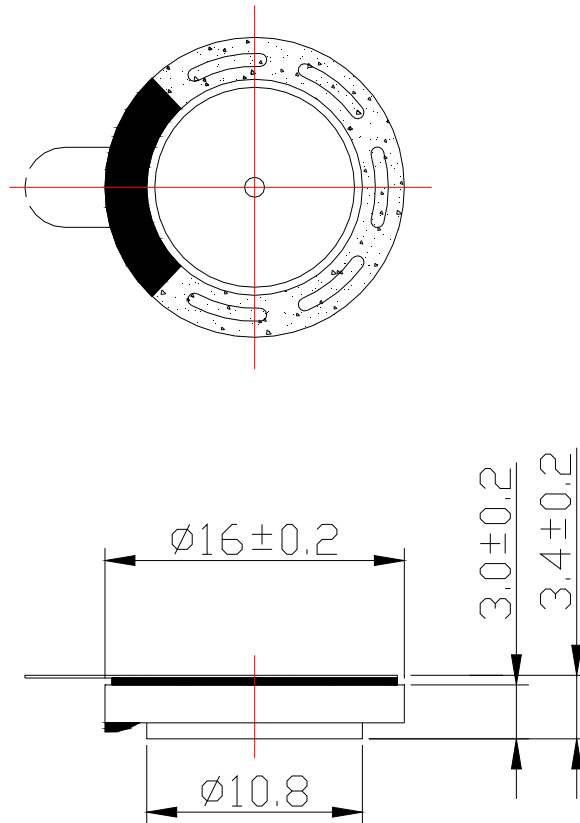


Specification for Speaker

Model No. VS1634R8F900P05

Drawing No. VS20181129002

Dimensions:



Adhesive

Unit : mm

Tolerance : ± 0.2