

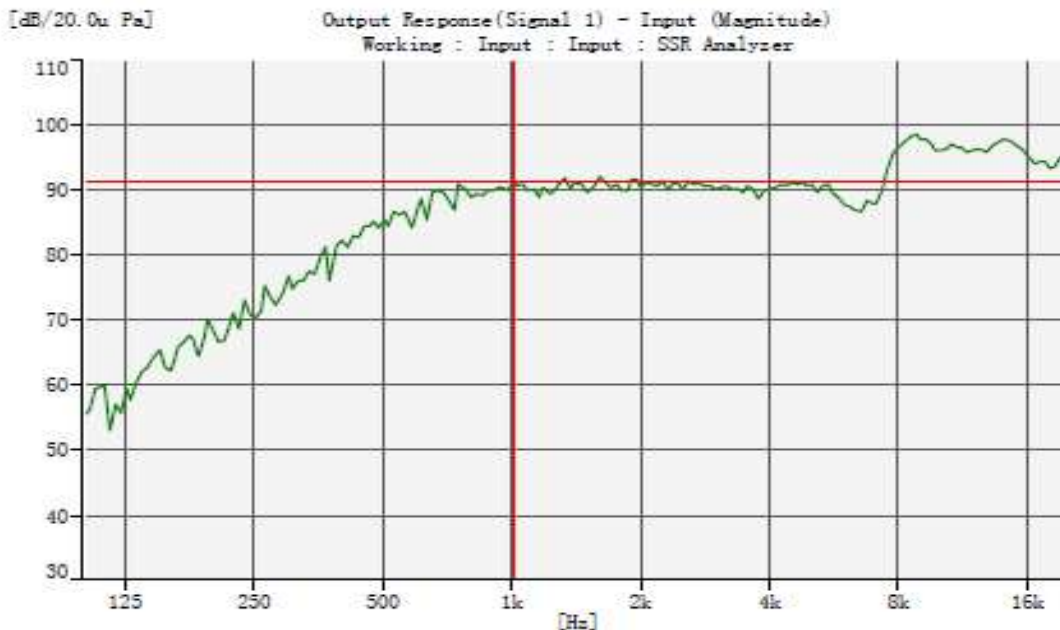
Specification for Speaker

Model No.	VS2036R8F900P08	Drawing No.	VS20200317014
Customer			

SPEC

NO.	Items	Specification	Test Condition
1	Impedance	$8\Omega \pm 15\%$	at 1Vrms,2kHz
2	Resonant Fr. (fo)	900Hz \pm 20%	
3	Frequency Range	F0-20KHz	
4	Rated Power	0.8W	
5	Max Power	1.0W	
6	S.P.L.	90dB \pm 3dB	(0.1W/0.1M at 1.0kHz)
7	Distortion	<10% Max.	at 2kHz/2Vrms
8	Sweep Test	must be normal	at sine wave 2.53 V
9	Load Test	after test meet item 8	rated white noise power, 96 Hrs.
10	Heat Test	after test meet item 8	+70 \pm 2 $^{\circ}$ C 20~50% 96Hrs.
11	Cold Test	after test meet item 8	-20 \pm 3 $^{\circ}$ C 96Hrs.
12	Humidity Test	after test meet item 8	+40 \pm 2 $^{\circ}$ C,90~95% 96Hrs.
13	Weight	2.0 \pm 5%g	
14	Polarity Test	with positive D.C. voltage to (+) terminal, the cone shall move forward.	
15	Waterproof	IP43	

Frequency Response Curve

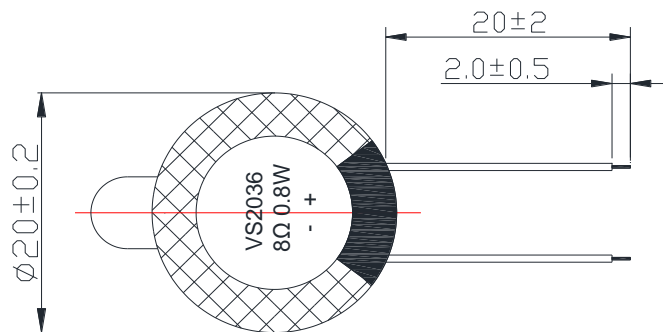
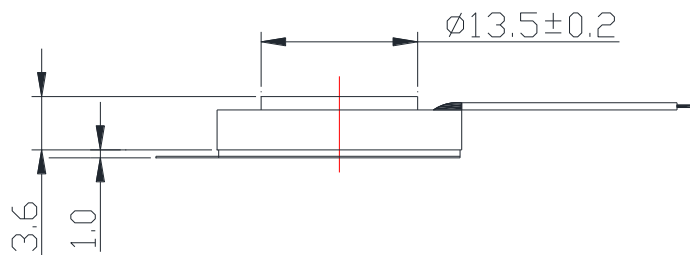
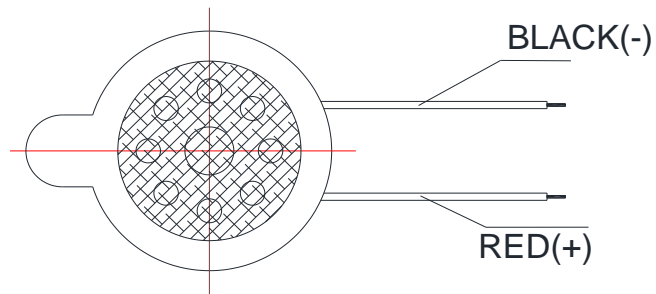


Specification for Speaker

Model No. VS2036R8F900P08

Drawing No. VS20200317014

Dimensions:



Unit : mm
Tolerance : ± 0.2