



# SPECIFICATION

## FOR APPROVAL

Customer : \_\_\_\_\_

Product Name : Dynamic Speaker \_\_\_\_\_

Model Name : VS2720R8F700P1 \_\_\_\_\_

Drawing No. : VS20160408012 \_\_\_\_\_

### Signature of Voise

Approved by	Checkde by	Issued by	Date



福爱斯电子有限公司  
VOISE ELECTRONICS CO.,LTD.

Office Add:Haoyanguang B-302# No.968 Baizhang Road,Ningbo China  
Factory add: Shishan Industrial Park Moushan Town Yuyao City China  
Tel:86-0574-87471601 Fax:86-0574-87471600 P.C.315040  
Http://www.nbvoise.com E-mail:sales@nbvoise.com





Specification for Dynamic Speaker		Page	3/8
		Revision No.	1.0
Model No.:	VS2720R8F700P1	Drawing No.	VS20160408012

## 2. Scope

This document contains required environmental, electrical, acoustic, mechanical, package and reliability test requirement

## 3. General Characteristics

- 2.1 Out-Diameter : 27x20 mm
- 2.2 Height : 6.4 mm
- 2.3 Weight : 5.5 g
- 2.4 Operating Temperature : -30~+60°C without loss of function
- 2.5 Store Temperature : -30~+70°C without loss of function

## 4. Electrical and Acoustic Characteristics.

Test condition : 15 ~ 35 °C Temp., 25% ~ 75% RH, 86~106 kPa Refer to IEC60268-1

No	Items	Specification
1	Impedance	8 Ω ± 15% (1Vrms at 0.6KHz)
2	Sound Pressure Level	87 dB ± 3dB (0.1m/0.1w at 1.0,1.2,1.5,2.0kHz Average)
3	Resonance Frequency(fo)	700 Hz ± 20% at 1V
4	Frequency Range	fo ~20KHz
5	Input Power	Rated 1 W / Max. 1.5 W
6	Distortion	Less than 5% at 1kHz 1.0W
7	Buzz and Rattle	Should not be audible buzzes,rattles when the 2.83V sine wave signal swept at frequency range.
8	Polarity	When a positive DC current is applied to the voice coil terminal marked (+) , the diaphragm shall move to forward.



Specification for Dynamic Speaker		Page	4/8
		Revision No.	1.0
Model No.:	VS2720R8F700P1	Drawing No.	VS20160408012

## 5. Reliability Test

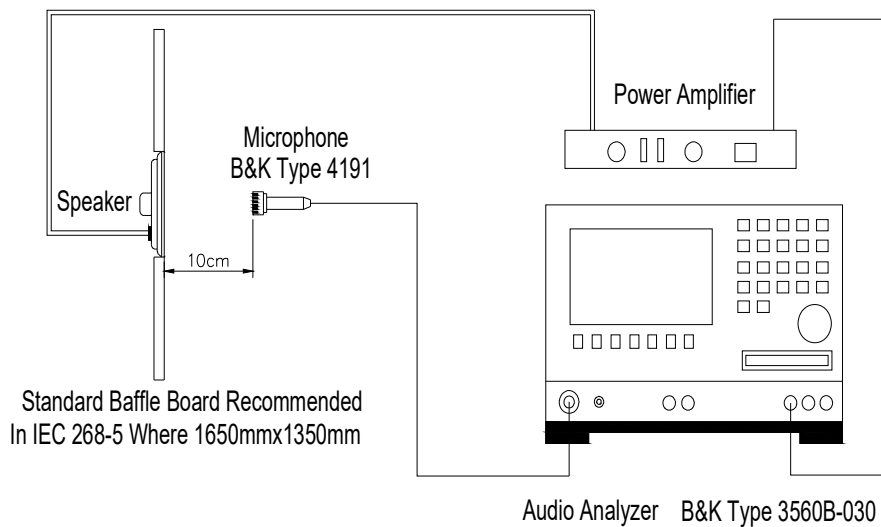
After test(1~7item), the speaker S.P.L . difference shall be within  $\pm 3\text{dB}$ , and the appearance not exist any change to be harmful to normal operation

No	Items	Specification
1	High Temp.Test	Keep 100 hours at $+70\pm 3\text{ }^\circ\text{C}$ ,and leave 2 hours in normal temperature and then check.
2	Low Temp.Test	Keep 100 hours at $-30\pm 3\text{ }^\circ\text{C}$ ,and leave 2 hours in normal temperature and then check.
3	Humidity Test	Keep 100 hours at $-30\pm 3\text{ }^\circ\text{C}$ ,relative humidity 85 to 90% and leave 2 hours in normal temperature and then check.
4	Thermal Shock Test	Each temperature cycle shall consist of 2 hours at $+25\pm 3\text{ }^\circ\text{C}$ followed by 2hours at $+70\pm 3\text{ }^\circ\text{C}$ ,and followed by 2hours at $-30\pm 3\text{ }^\circ\text{C}$ with a 20 to 40 minutes transition time between each 2 temperature extremes. The test duration is for 10 cycle.
5	Vibration Test	Being applied vibration of amplitude of 1.5mm with 10-55-10Hz band of vibration frequency,X.Y.Z.3 direction.2 hours each, total 6 hours.
6	Drop Test	Free drop fram 1.0 meter height to a board 20mm thick hard wood board. and be nothing mechanical damage. tatol 6 times.
7	Load test	Loading white noise with input rate power for 100 hours, then placed in natural condition for 1 hour and then check.
8	Insulation test	When they are measured with DC 100V the insulation resistance between v.c. terminal and frame must be more than 1 M $\Omega$

Specification for Dynamic Speaker		Page	5/8
		Revision No.	1.0
Model No.:	VS2720R8F700P1	Drawing No.	VS20160408012

## 6. Measurement Method & Frequency Response curve

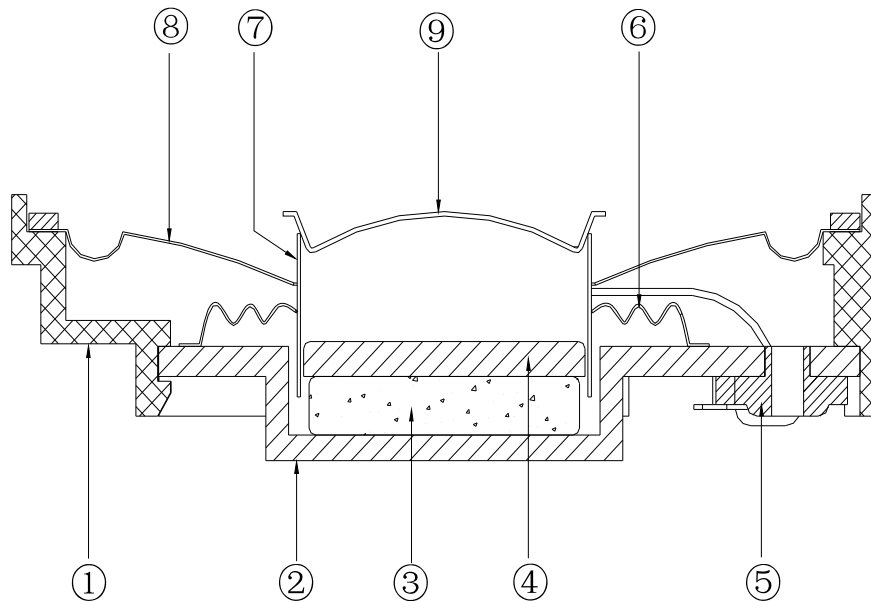
Standard test condition of speaker



Brüel & Kjær

Specification for Dynamic Speaker		Page	6/8
		Revision No.	1.0
Model No.:	VS2720R8F700P1	Drawing No.	VS20160408012

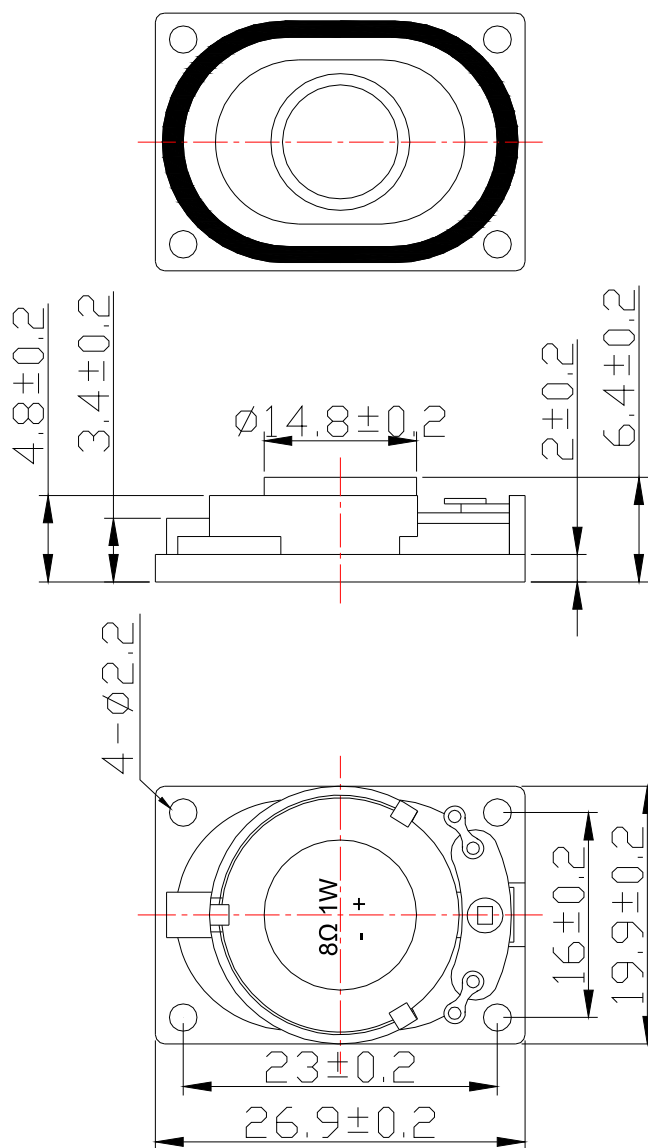
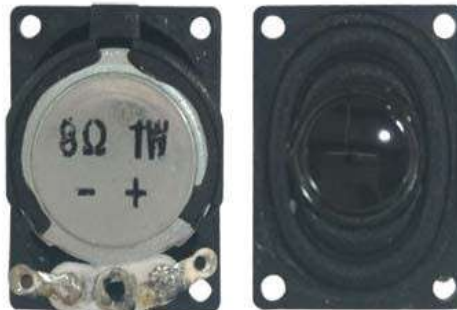
## 7. Mechanical layout



9	Dust cap	0	PAPER	
8	Diaphragm	1	Cloth + PAPER	
7	Voice Coil	1	Paper+Copper	
6	Damper	1	Cloth	
5	Terminal	1	Fe+PAPER	
4	Plate	1	SPCC	
3	Magnet	1	Nd-Fe-B	
2	Yoke	1	SPCC	
1	Frame	1	ABS	
No.	Part Name	Q'ty	Material	Remarks

Specification for Dynamic Speaker		Page	7/8
		Revision No.	1.0
Model No.:	VS2720R8F700P1	Drawing No.	VS20160408012

### 8. Dimensions



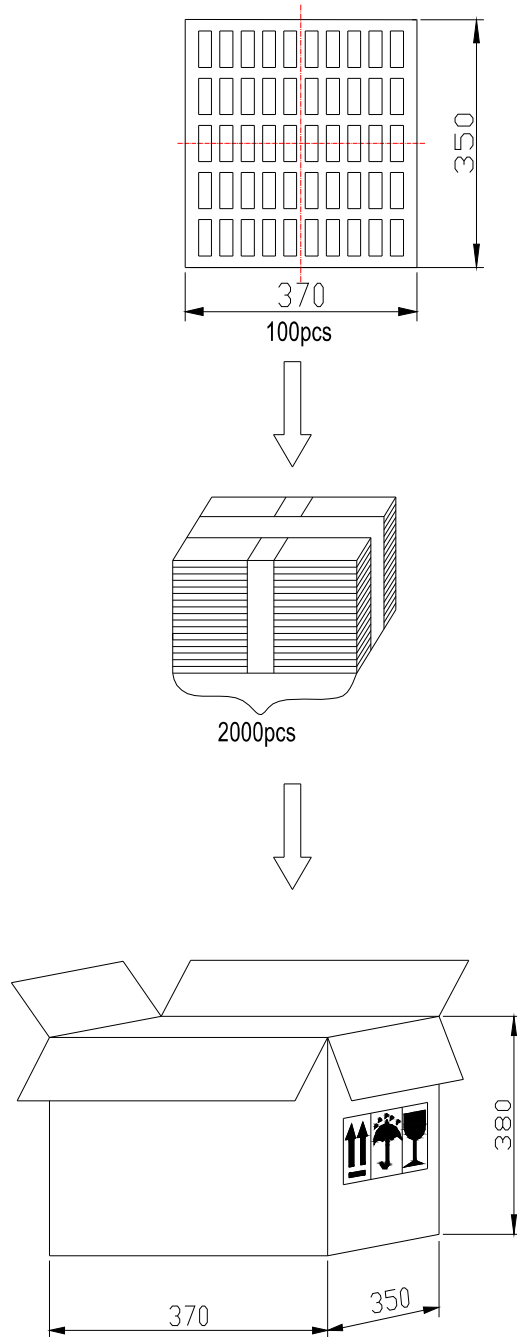
FIRST ANGLE PROJECTION



UNIT : mm  
 Tolerance :  $\pm 0.2$

Specification for Dynamic Speaker		Page	8/8
		Revision No.	1.0
Model No.:	VS2720R8F700P1	Drawing No.	VS20160408012

## 9. Packing



100 pcs per tray  
 20 trays for unit  
 Total:1000 pcs per carton  
 Size:37×35×38cm  
 G.W.:12.5KG