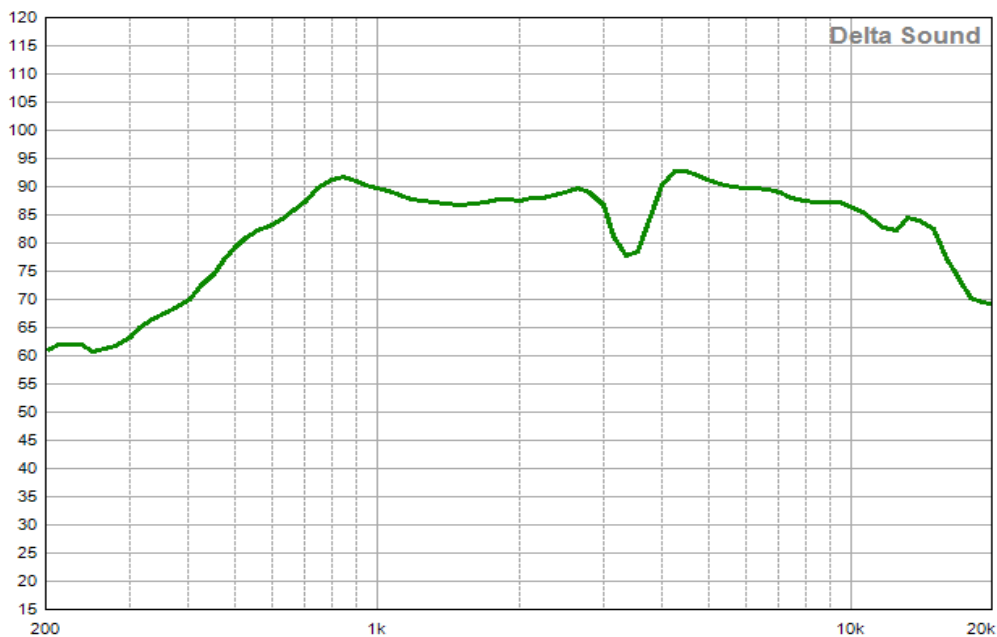


Specification for Speaker

Model No.	VS35x20R4F750P2	Drawing No.	VS20230215021
Customer			

NO.	Items	Specification	Test Condition
1	Impedance	$4\Omega \pm 15\%$	at 1Vrms,2kHz
2	Resonant Fr. (fo)	750Hz \pm 20%	
3	Frequency Range	F0-15KHz	
4	Rated Power	2W	
5	Max Power	2.2W	
6	S.P.L.	88dB \pm 3dB	(0.1W/0.1M at 2.0kHz)
7	Distortion	<10% Max.	at 2kHz/2Vrms
8	Sweep Test	must be normal	at sine wave 4 V
9	Load Test	after test meet item 8	rated white noise power, 96 Hrs.
10	Heat Test	after test meet item 8	+60 \pm 2 $^{\circ}$ C 20~50% 96Hrs.
11	Cold Test	after test meet item 8	-20 \pm 3 $^{\circ}$ C 96Hrs.
12	Humidity Test	after test meet item 8	+40 \pm 2 $^{\circ}$ C ,90~95% 96Hrs.
13	Weight	7 \pm 0.5g	
14	Polarity Test	with positive D.C. voltage to (+) terminal, the cone shall move forward.	
15	Note	IP60	

Frequency Response Curve



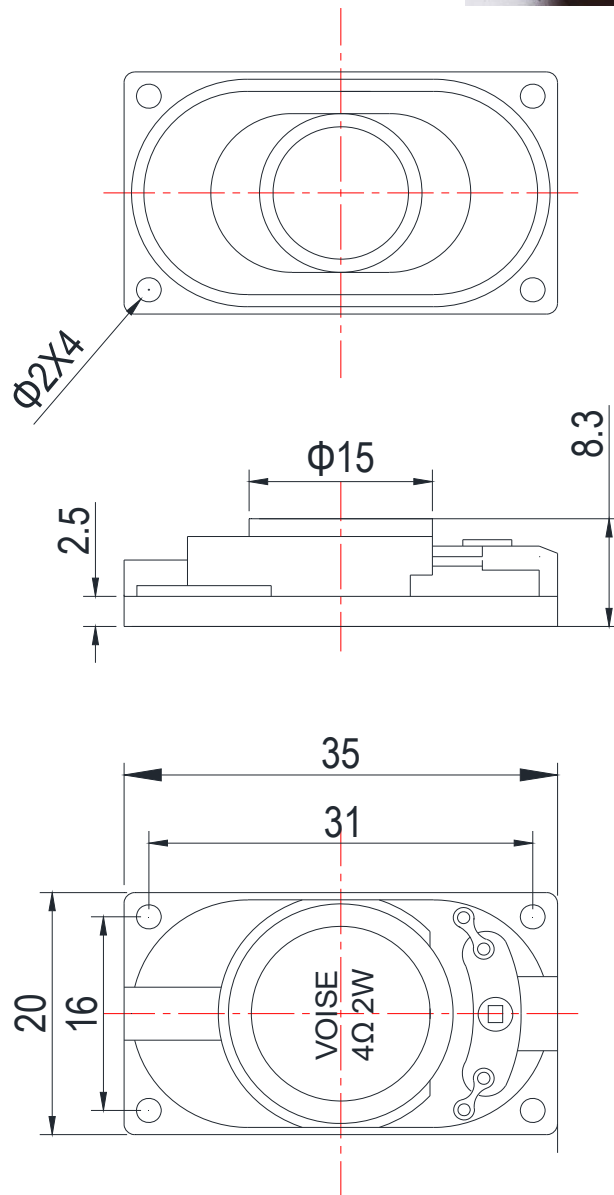
Specification for Speaker

Model No. VS35x20R4F750P2

Drawing No.

VS20230215021

Dimensions:



Unit : mm

Tolerance : ± 0.2