

SPECIFICATION

FOR APPRONAL

Customer : _____
Product Name : Microphone for Back Electret
Model Name : VS6022S30C1033L100B
Drawing No. : VS20241024015

Signature of Voice

Approved by	Checkde by	Issued by	Date



Address:No 96 Mogao Dongqian Lake Industrial Area ningbo,China.
Tel:0086-0574-87773030;Fax:0086-0574-87471600 P.C.315121
<http://www.nbvoise.com> Email:sales@nbvoise.com

Table of contents

1. Revision
2. Scope
3. General Characteristics
4. Electrical and Acoustic Characteristics.
5. Measurement Method & Frequency Response curve
6. Dimensions

1. Revision

Rev.No.	Date	Page	Description of Revision
1.0	2024/10/24		Preliminary

Specification for Microphone		Page	2/4
		Revision No.	1.0
Model No.:	VS6022S30C1033L100B	Drawing No.	VS20241024015

2. Scope

This specification applies electret condenser microphone.

3. General Characteristics

- 3.1 Out-Diameter : 6 mm
- 3.2 Height : 2.2 mm
- 3.3 Weight : 0.3 g
- 3.4 Operating Temperature : -30~+60°C without loss of function
- 3.5 Store Temperature : -30~+70°C without loss of function

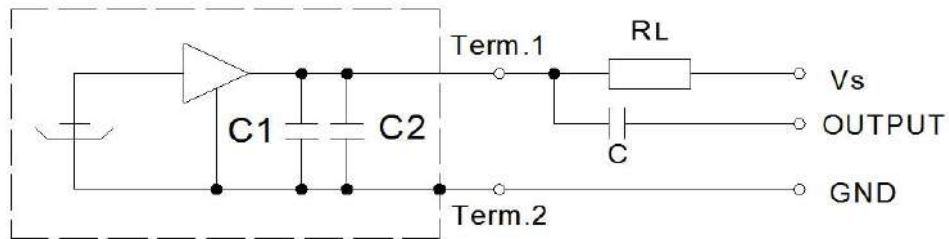
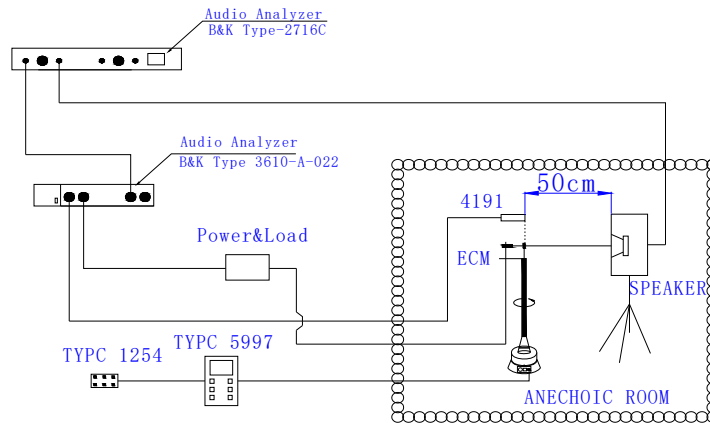
4. Electrical and Acoustic Characteristics.

Test condition :5 ~ 35 °C Temp., 35% ~85% RH,86~106 kPa 1kHz , RL=2.2KΩ

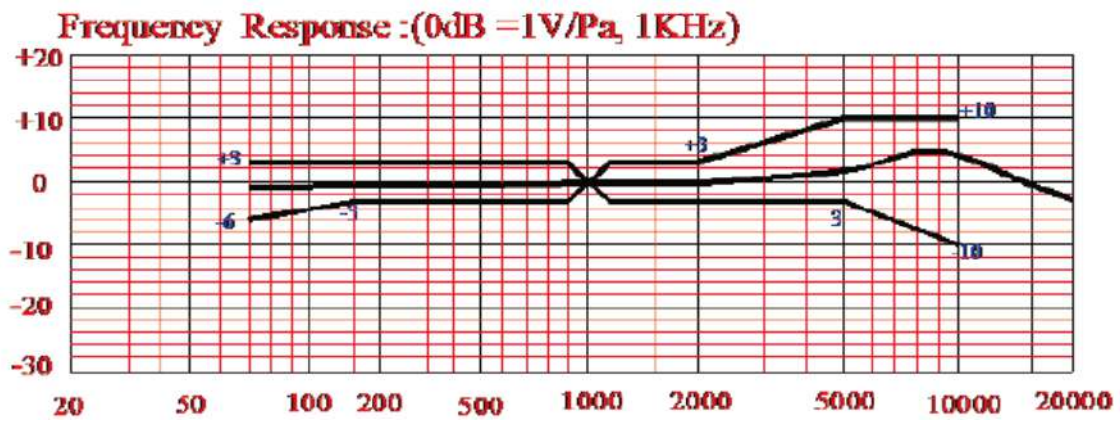
No	Items	Specification
1	Directivity	Omni-directional
2	Sensitivity (S)	-30dB±3dB (1KHZ, 0dB=1V/pa)
3	Power Supply Voltage(Vs)	4.5 V
4	Output impedance (RL)	2.2 KΩ
5	Operating Voltage	1.0-10 V
6	Sensitivity reduction within 1.5V	-3dB
7	Frequency	100-20,000Hz
8	Max. Current Consumption	0.5 mA
9	Min S/N ratio	62 dB
10	Material	Cu
11	Environmental Regulations	RoHS

We use "Pascal (Pa)" indication of sensitivity as per the recommendation of I.E.C.(International Electro technical Commission).The Sensitivity of "Pa" will increase 20dB comparing with "ubar" indication. Example: -60dB (0dB=1V/ubar) =-40dB (1V/Pa)

5. Measurement Method & Frequency Response curve



V_s : 4.5V RL : 2.2K Ω C_1 =10pF C_2 =33pF



Specification for Microphone

Page

4/4

Model No.: VS6022S30C1033L100B

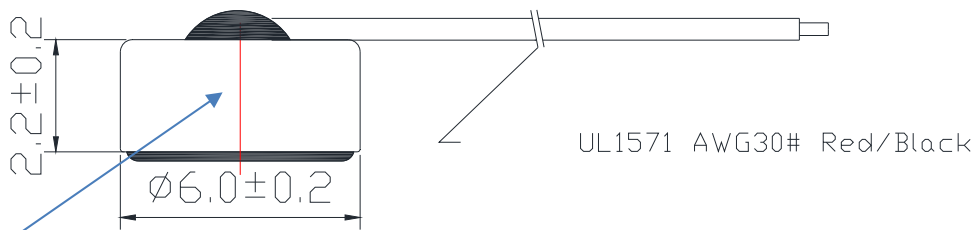
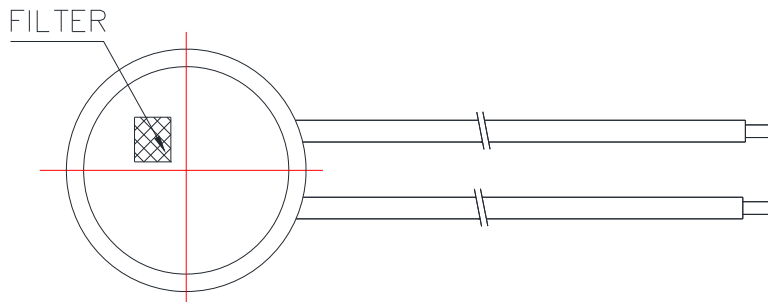
Revision No.

1.0

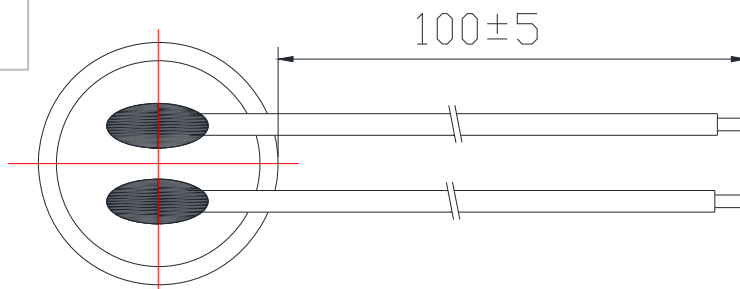
Drawing No.

VS20241024015

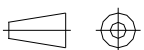
6. Dimensions



Marking Yellow-
点黄点



FIRST ANGLE PROJECTION



UNIT : mm

Tolerance : ± 0.2