

SPECIFICATION

FOR APPROVAL

Customer : _____

Product Name : Receiver _____

Model Name : VSDR157BH _____

Drawing No. : VS20220812017 _____

Signature of Voise

Approved by	Checkde by	Issued by	Date

 福爱斯电子有限公司
VOISE ELECTRONICS CO.,LTD.

Address:No 96 Mogao Dongqian Lake Industial Area ningbo,China,
Tel:0086-0574-87773030;Fax:0086-0574-87471600 P.C.315121
<http://www.nbvoise.com> Email:sales@nbvoise.com

Specification for Receiver		Page	3/8
Model No.:	VSDR157BH	Revision No.	1.0
		Drawing No.	VS20220812017

2. Scope

This specification covers a dynamic receiver unit for phone use.

3. General Characteristics

- 2.1 Out-Diameter : 20 mm
- 2.2 Height : 4 mm
- 2.3 Weight : 2 g
- 2.4 Operating Temperature : -25~+65°C without loss of function
- 2.5 Store Temperature : -25~+65°C without loss of function

4. Electrical and Acoustic Characteristics.

Test condition :15 ~ 35 °C Temp., 25% ~ 75% RH,86~106 kPa Refer to IEC60268-1

No	Items	Specification
1	Impedance	150 Ω ± 20% (1Vrms at 1.0KHz)
2	Sound Pressure Level	88 dB ± 2dB (60mV at 1kHz with IEC381 coupler)
3	Resonance Frequency(fo)	/
4	Frequency Range	300Hz ~3.4KHz
5	Input Power	Rated 0.03 W / Max. 0.05 W
6	Distortion	Less than 5% at 1kHz/2Vrms
7	Buzz and Rattle	Should not be audible buzzes,rattles when the 2.12V sine wave signal swept at frequency range.
8	Magnetic filed intensity	Axial direction≥-19dB(0dB=1A/M at 60mVrms)
		Radial dirction≥-27dB (0dB=1A/M at 60mVrms)

Specification for Receiver		Page	4/8
Model No.:	VSDR157BH	Revision No.	1.0
		Drawing No.	VS20220812017

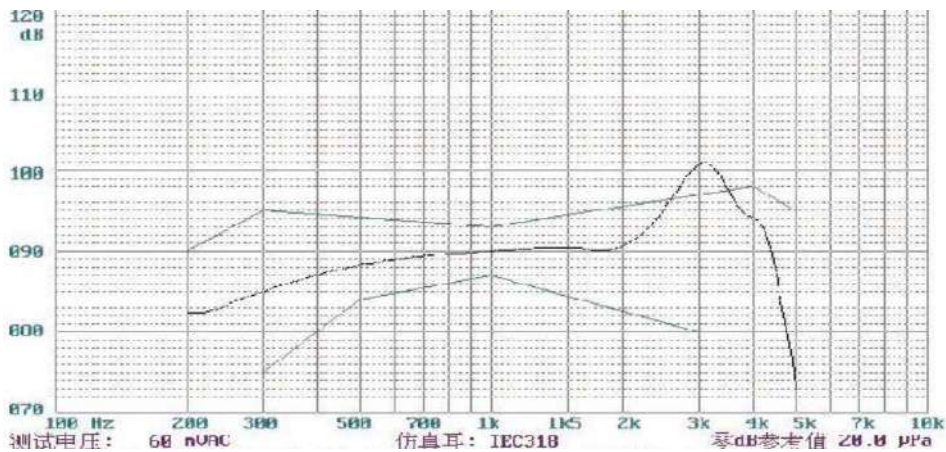
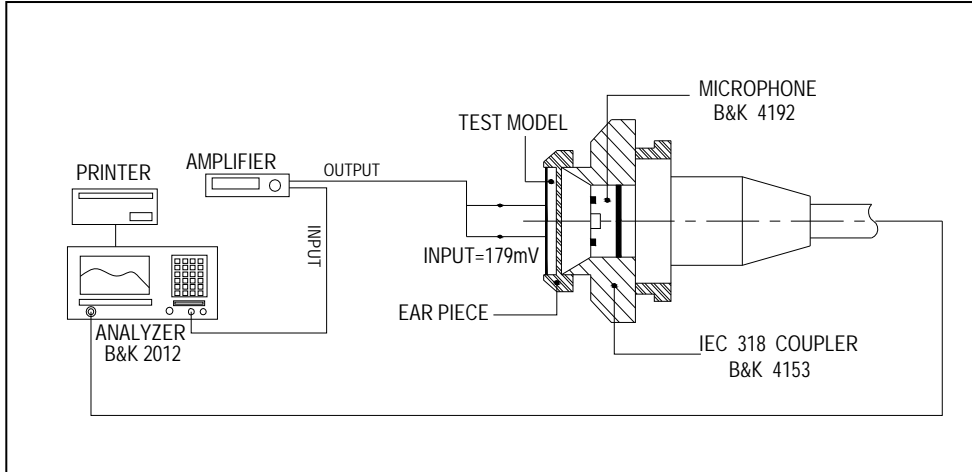
5. Reliability Test

After test(1~7item), the speaker S.P.L . difference shall be within $\pm 2\text{dB}$, and the appearance not exist any change to be harmful to normal operation

No	Items	Specification
1	High Temp.Test	Keep 96 hours at $+65\pm 3\text{ }^\circ\text{C}$,and leave 1 heures in normal temperature and then check.
2	Low Temp.Test	Keep 96 hours at $-25\pm 3\text{ }^\circ\text{C}$,and leave 1 heures in normal temperature and then check.
3	Humidity Test	Keep 96 hours at $-40\pm 3\text{ }^\circ\text{C}$,relative humidity 85 to 90% and leave 1 heures in normal temperature and then check.
4	Thermal Shock Test	Each temperature cycle shall consist of 2 hours at $+25\pm 3\text{ }^\circ\text{C}$ followed by 2hours at $+60\pm 3\text{ }^\circ\text{C}$,and followed by 2hours at $-20\pm 3\text{ }^\circ\text{C}$ with a 20 to 40 minutes transition time between each 2 temperature extremes. The test duration is for 2 cycle.
5	Vibration Test	Being applied vibration of amplitude of 1.5mm with 10-55-10Hz band of vibration frequency,X.Y.Z.3 direction.2 hours each, total 6 hours.
6	Drop Test	Free drop fram 1.0 meter height to a board 20mm thick hard wood board. and be nothing mechanical damage. tatol 6 times.
7	Load test	Loading white noise with input rate power for 24 hours, then placed in natural condition for 1 hour and then check.
8	Insulation test	When they are measured with DC 100V the insulation resistance between v.c. terminal and frame must be more than 1 M Ω

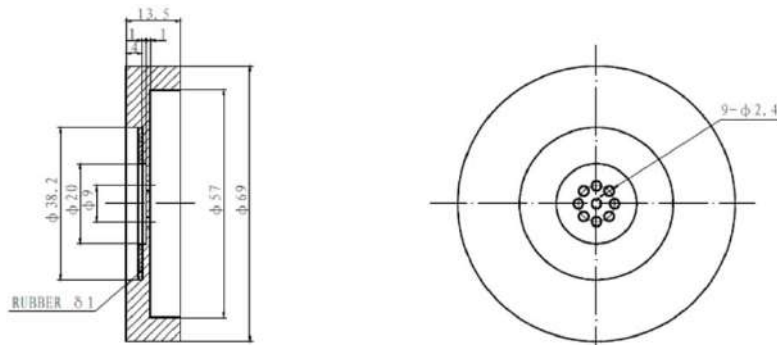
Specification for Receiver		Page	5/8
		Revision No.	1.0
Model No.:	VSDR157BH	Drawing No.	VS20220812017

6. Measurement Method & Frequency Response curve



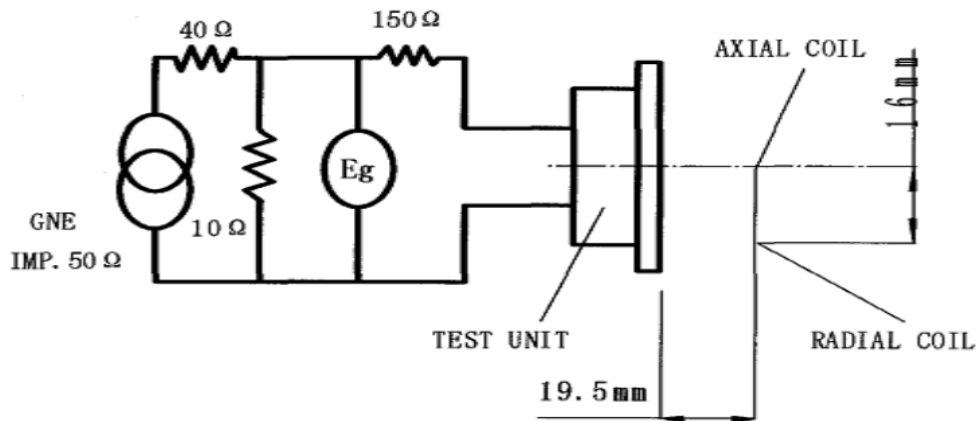
Brüel & Kjær

Earpiece

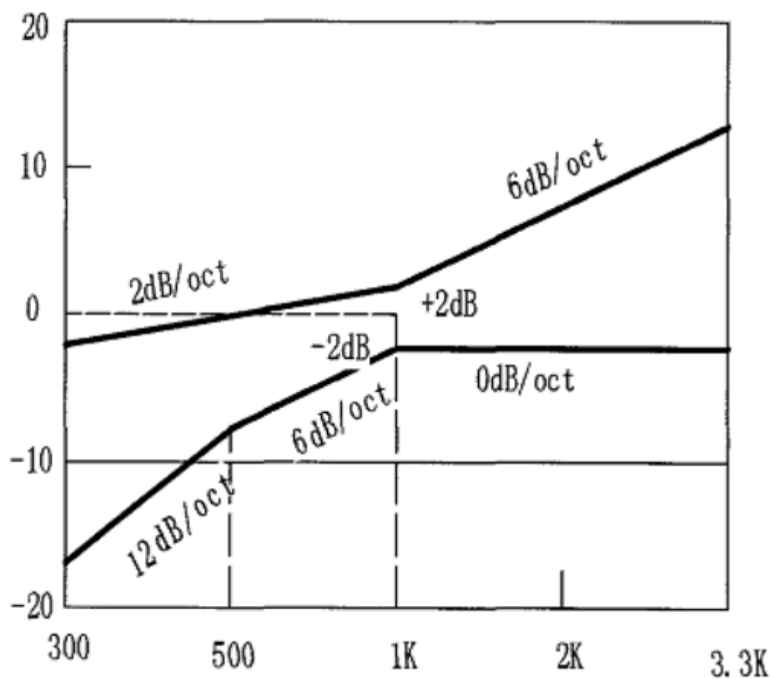


Specification for Receiver		Page	6/8
		Revision No.	4/8
Model No.:	VSDR157BH	Drawing No.	VS20220812017

6.1. Hearing Aid Coil Measureing circuit



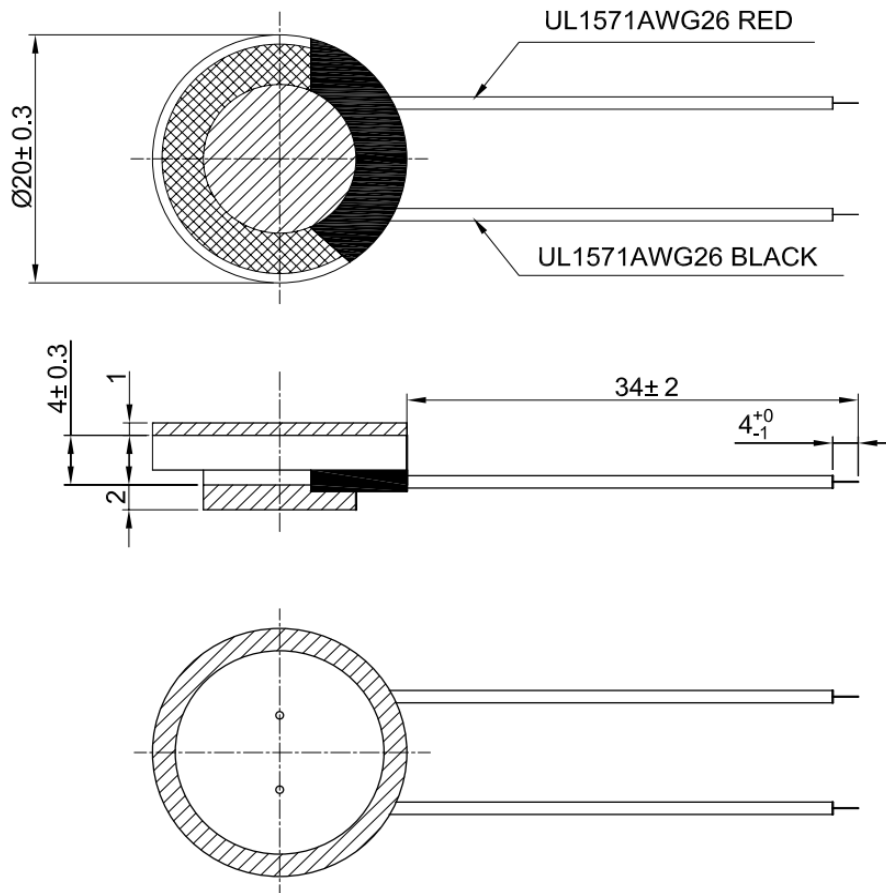
6.2. Hearing Aid Coil Frequency Curve



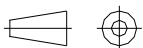
UNIT : mm
Tolerance : ±0.2

Specification for Receiver		Page	7/8
		Revision No.	1.0
Model No.:	VSDR157BH	Drawing No.	VS20220812017

7. Dimensions



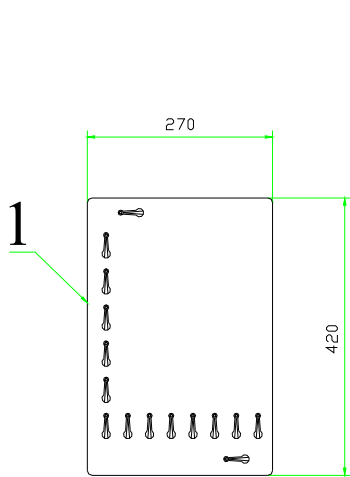
FIRST ANGLE PROJECTION



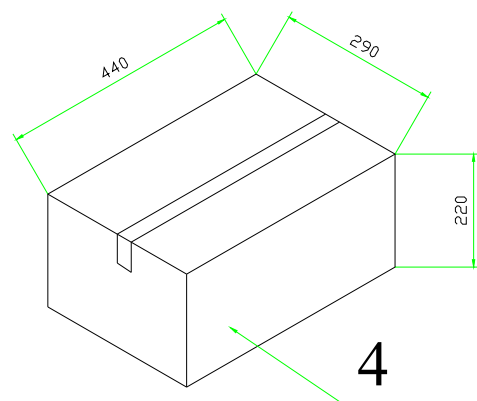
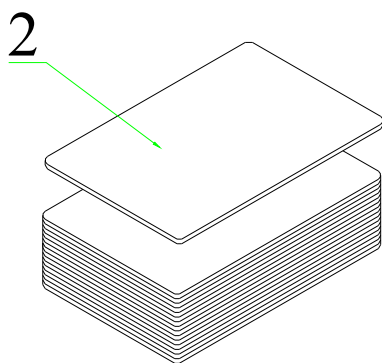
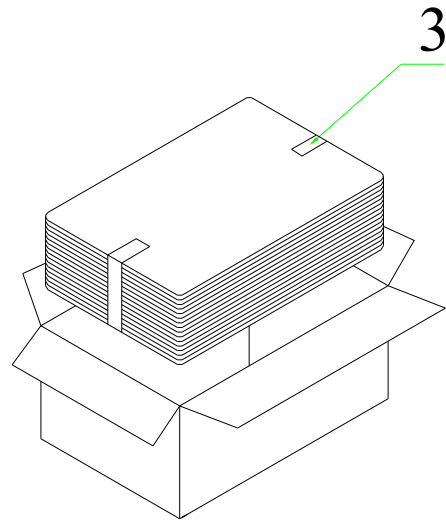
UNIT : mm
Tolerance : ± 0.2

Specification for Receiver		Page	8/8
		Revision No.	1.0
Model No.:	VSDR157BH	Drawing No.	VS20220812017

8. Packing



100Pcs



QTY: 2000Pcs
440 x290 x220