

SPECIFICATION

FOR APPRONAL

Customer : _____

Product Name : Horn speaker

Model Name : VSH-60R8F14P10

Drawing No. : VS20221128013

Signature of Voice

Approved by	Checkde by	Issued by	Date



Address:No 96 Mogao Dongqian Lake Industial Area ningbo,China,
Tel:0086-0574-87773030;Fax:0086-0574-87471600 P.C.315121
<http://www.nbvoise.com> Email:sales@nbvoise.com

Specification for Horn speaker

Page

2/3

Revision No.

1.0

Model No. : VSH-60R8F14P10

Drawing No.

VS20221128013

2. Scope

This specification is applied to the Horn speaker used for sounder in alarm systems, Please contact us when using this product for any other applications than described in the above.

3. General

- 2.1 Out-Diameter : 60 mm
2.2 Height : 38 mm
2.3 Weight : 110 ±10g
2.4 Operating Temperature range:
-20~+70°C without loss of function
2.5 Store Temperature range:
-30~+80°C without loss of function

4. Electrical and Acoustic Characteristics.

Test condition : 15 ~ 35 °C, 25% ~ 85% RH, 860~1060 mbar

No	Items	Specification
1	Power rating RMS	10W
2	Power rating Peak	15W
3	Min Sound pressure Level	98 dB at 1M/1W
4	Resonant Frequency	1.4kHz±10%
5	Rated Frequency Range	F0-4000Hz
6	Case Material/Color	Nylon/Black
7	Voice Coil	Dia 25.4mm
8	Voice Coil Impedance	8 ohm
9	Magnet size	Dia 24.5x3.5

Specification for Horn speaker

Page

3/3

Revision No.

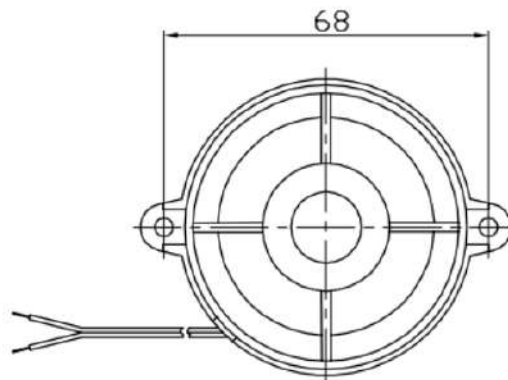
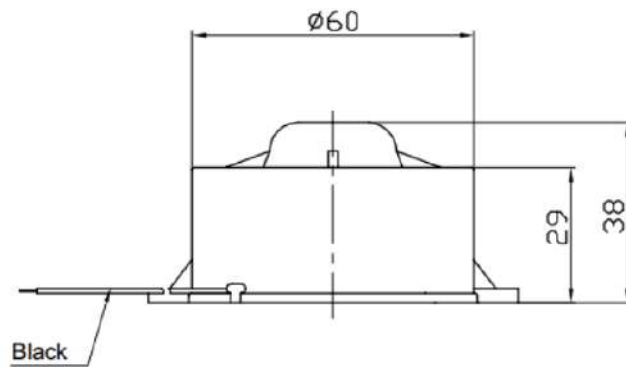
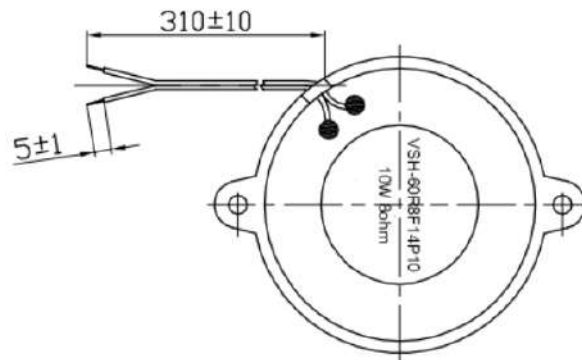
1.0

Model No. : VSH-60R8F14P10

Drawing No.

VS20221128013

5. Dimensions



FIRST ANGLE PROJECTION



UNIT : mm

Tolerance : ±1.5