

# SPECIFICATION

## FOR APPRONAL

Customer : \_\_\_\_\_

Product Name : Piezo Buzzer(Self-drive) \_\_\_\_\_

Model Name : VSI2319V12F40 \_\_\_\_\_

Drawing No. : VS20191115012.01 \_\_\_\_\_

### Signature of Voice

Approved by	Checkde by	Issued by	Date

 **福爱斯电子有限公司**  
**VOISE ELECTRONICS CO.,LTD.**

Address:No 96 Mogao Dongqian Lake Industial Area ningbo,China,  
Tel:0086-0574-87773030;Fax:0086-0574-87471600 P.C.315121  
<http://www.nbvoice.com> Email:sales@nbvoice.com



<b>Specification for Piezo Buzzer</b>		Page	3/5	
		Revision No.	1.0	
Model No.:	VSI2319V12F40		Drawing No.	VS20191115012.01

## 2. Scope

This product specification is applied to the piezo Buzzer in alarm systems. Please contact us when using this product for any other applications than described in the above.

## 3. General Characteristics

- 3.1 Out-Diameter : 23 mm
- 3.2 Height : 19 mm
- 3.3 Weight : 8 g
- 3.4 Operating Temperature : -20~+60°C without loss of function
- 3.5 Store Temperature : -30~+70°C without loss of function

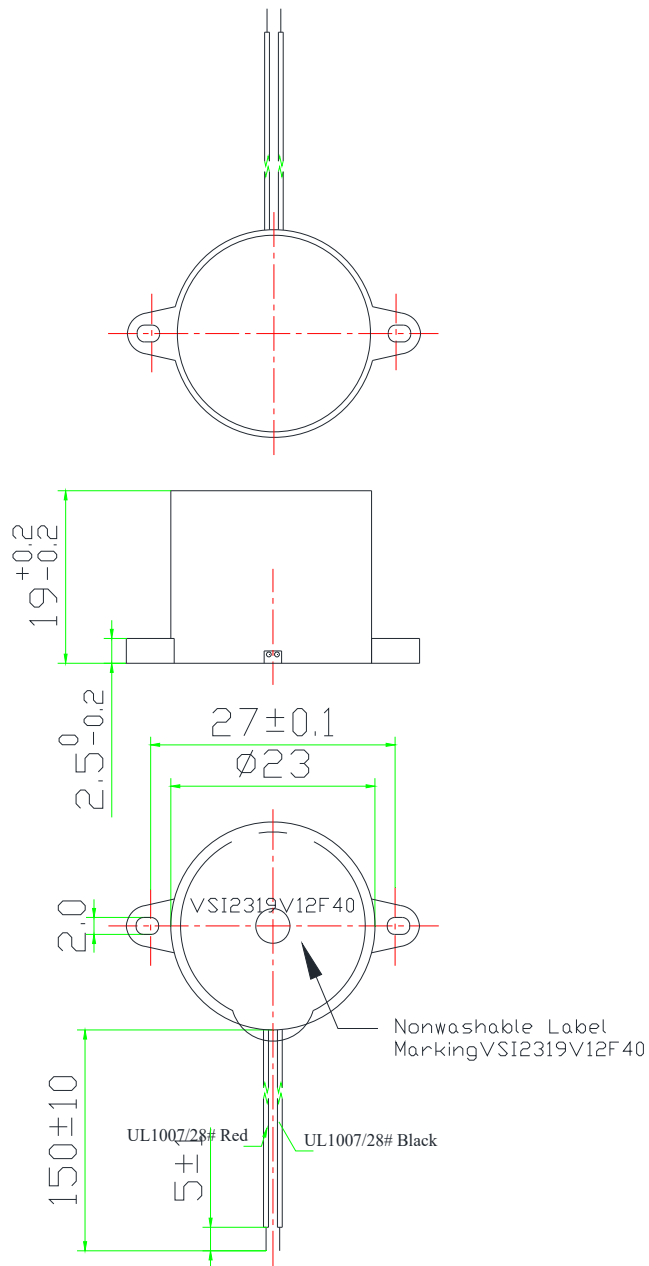
## 4. Electrical and Acoustic Characteristics.

Test condition :15 ~ 35 °C Temp., 25% ~ 75% RH,86~106 kPa Refer to IEC60268-1

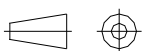
No	Items	Specification
1	Rated Voltage	12V DC
2	Working Voltage	6-20V DC
3	Max Rated Current	15mA/12VDC
4	Min Sound Pressure Level	90dB/12VDC/30cm
5	Resonant Frequency	4.0±0.5KHz
6	Tone Nature	Continuous
7	Housing Material	ABS
8	Color	Black

Specification for Piezo Buzzer		Page	4/5
		Revision No.	1.0
Model No.:	VSI2319V12F40	Drawing No.	VS20191115012.01

## 5. Dimensions



FIRST ANGLE PROJECTION



UNIT : mm

Tolerance : ±0.2

Specification for Piezo Buzzer		Page	5/5
		Revision No.	1.0
Model No.:	VSI2319V12F40	Drawing No.	VS20191115012.01

## 6. Packing

Each minimum package unit of products shall be in a carton box and it shall be clearly marked with Part Number ,quantity and outgoing inspection number.

There shall be no mechanical damage on products during in storage.