

SPECIFICATION

FOR APPRONAL

Customer : _____

Product Name : Piezo Buzzer(Self-drive) _____

Model Name : VSI2319V24F33L150 _____

Drawing No. : VS20230724012 _____

Signature of Voise

Approved by	Checkde by	Issued by	Date

Voise 福爱斯电子有限公司
ELECTRONIC VOISE ELECTRONICS CO.,LTD.

Address:No 96 Mogao Dongqian Lake Industial Area ningbo,China,
Tel:0086-0574-87773030;Fax:0086-0574-87471600 P.C.315121
<http://www.nbvoise.com> Email:sales@nbvoise.com

Specification for Piezo Buzzer		Page	2/5
		Revision No.	1.0
Model No.:	VSI2319V24F33L150	Drawing No.	VS20230724012

Table of contents

1. Revision
2. Scope
3. General Characteristics
4. Electrical and Acoustic Characteristics.
5. Dimensions
6. Packing

1. Revision

Rev.No.	Date	Page	Description of Revision
1.0	2023/7/24		Preliminary

Specification for Piezo Buzzer		Page	3/5	
		Revision No.	1.0	
Model No.:	VSI2319V24F33L150		Drawing No.	VS20230724012

2. Scope

This product specification is applied to the Magnetic Buzzer in alarm systems. Please contact us when using this product for any other applications than described in the above.

3. General Characteristics

- 3.1 Out-Diameter : 23 mm
- 3.2 Height : 19 mm
- 3.3 Weight : 4.9 g
- 3.4 Operating Temperature : -20~+60°C without loss of function
- 3.5 Store Temperature : -30~+70°C without loss of function

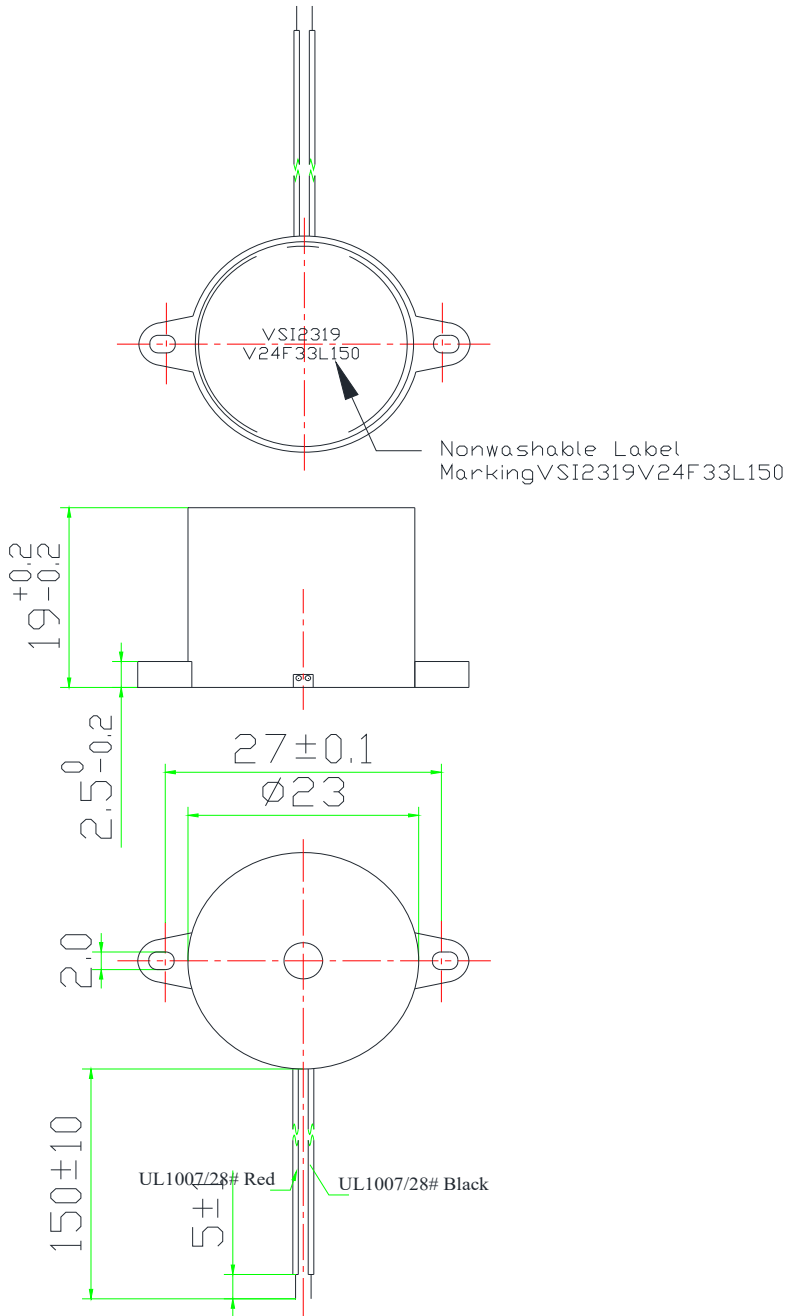
4. Electrical and Acoustic Characteristics.

Test condition : 15 ~ 35 °C Temp., 25% ~ 75% RH, 86~106 kPa Refer to IEC60268-1

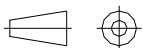
No	Items	Specification
1	Rated Voltage	24V DC
2	Working Voltage	6-28V DC
3	Max Rated Current	20mA/24VDC
4	Min Sound Pressure Level	90dB/24VDC/30cm
5	Resonant Frequency	3.3±0.5KHz
6	Tone Nature	Continuous
7	Housing Material	ABS
8	Color	Black

Specification for Piezo Buzzer		Page	4/5
		Revision No.	1.0
Model No.:	VSI2319V24F33L150	Drawing No.	VS20230724012

5. Dimensions



FIRST ANGLE PROJECTION



UNIT : mm

Tolerance : ± 0.2

Specification for Piezo Buzzer		Page	5/5
		Revision No.	1.0
Model No.:	VSI2319V24F33L150	Drawing No.	VS20230724012

6. Packing

Each minimum package unit of products shall be in a carton box and it shall be clearly marked with Part Number ,quantity and outgoing inspection number.

There shall be no mechanical damage on products during in storage.