

# SPECIFICATION

## FOR APPROVAL

Customer : \_\_\_\_\_

Product Name : Piezo Buzzer(Self-drive)  
\_\_\_\_\_

Model Name : VSI2622L  
\_\_\_\_\_

Drawing No. : VS20190709021  
\_\_\_\_\_

### Signature of Voise

Approved by	Checkde by	Issued by	Date



**福爱斯电子有限公司**  
VOISE ELECTRONICS CO.,LTD.

Office Add:Haoyangguang B-302# No.968 Baizhang Road,Ningbo China

Factory add: Shishan Industrial Park Moushan Town Yuyao City China

Tel:86-0574-87471601 Fax:86-0574-87471603 P.C.315000

Http://www.nbvoise.com E-mail:sales@nbvoise.com



## 2. Scope

This specification is applied to the piezo buzzer used for sounder in alarm systems, Please contact us when using this product for any other applications than described in the above.

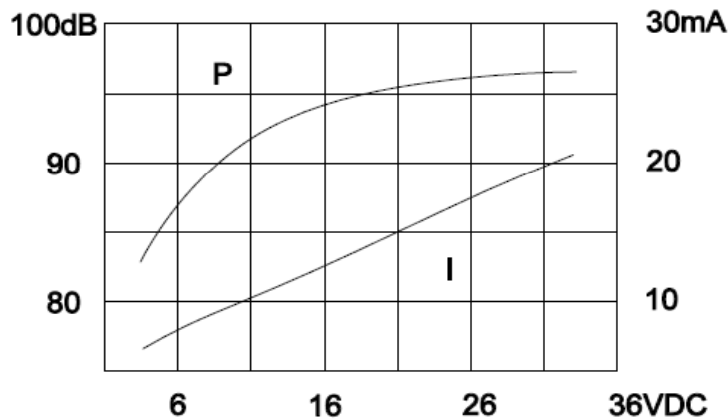
## 3. General

- 3.1 Out-Diameter : 26 mm
- 3.2 Height : 22 mm
- 3.3 Weight : 12 ±3g
- 3.4 Operating Temperature range:  
-20~+80°C without loss of function
- 3.5 Store Temperature range:  
-30~+100°C without loss of function

## 4. Electrical and Acoustic Characteristics.

Test condition : 15 ~ 35 °C, 25% ~ 85% RH, 860~1060 mbar

No	Items	Specification
1	Rated Voltage	12V DC
2	Working Voltage	6-30V DC
3	Max Rated Current	30mA/12VDC
4	Min Sound Pressure Level	90dB/12VDC/30cm
5	Resonant Frequency	2.9±0.5KHz
6	Tone Nature	Continuous
7	Housing Material	PBT
8	Color	Black



# Specification for Piezo Buzzer(Self-drive)

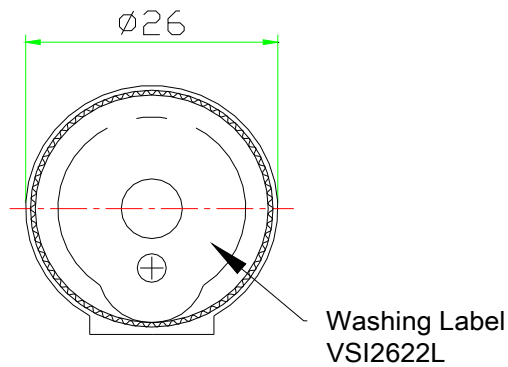
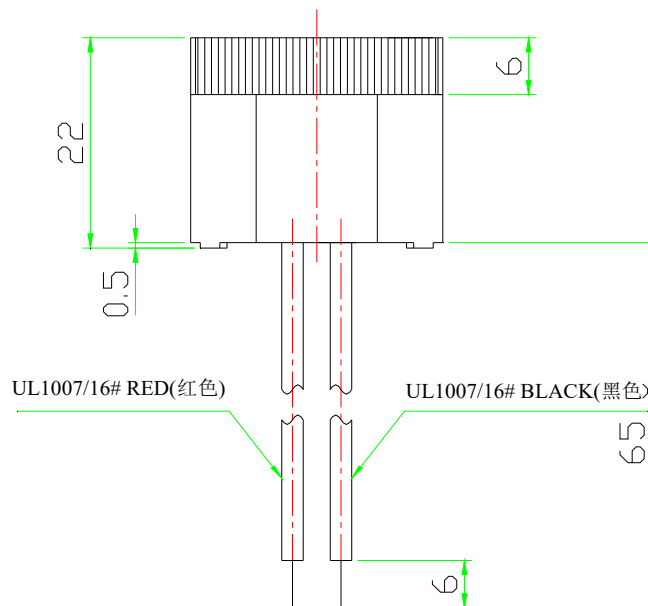
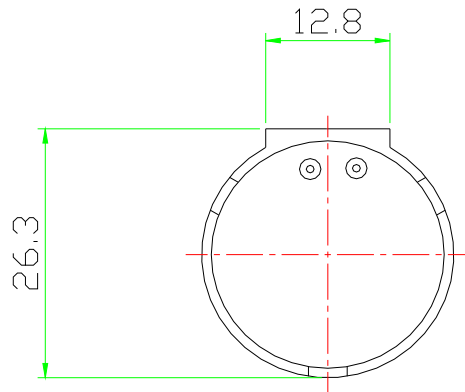
Page 4/5

Revision No. 1.0

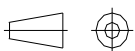
Model No. : VSI2622L

Drawing No. VS20190709021

## 5. Dimensions



FIRST ANGLE PROJECTION



UNIT : mm

Tolerance :  $\pm 1.5$

Specification for Piezo Buzzer(Self-drive)	Page	5/5
Model No. : VSI2622L	Revision No.	1.0
	Drawing No.	VS20190709021
<p><b>6. Packing</b></p> <p>Each minimum package unit of products shall be in a carton box and it shall be clearly marked with Part Number ,quantity and outgoing inspection number.</p> <p>There shall be no mechanical damage on products during in storage.</p> <p style="text-align: right;">Total:200 pcs per box Size:41.5x27x31cm</p>		