

# SPECIFICATION

## FOR APPRONAL

Customer : \_\_\_\_\_

Product Name : Piezo Buzzer(Self-drive) \_\_\_\_\_

Model Name : VSI3214LCPS12 \_\_\_\_\_

Drawing No. : VS20221222010 \_\_\_\_\_

### Signature of Voice

Approved by	Checkde by	Issued by	Date



**福爱斯电子有限公司**  
VOISE ELECTRONICS CO.,LTD.

Address:No 96 Mogao Dongqian Lake Industial Area ningbo,China,  
Tel:0086-0574-87773030;Fax:0086-0574-87471600 P.C.315121  
<http://www.nbvoise.com> Email:sales@nbvoise.com

Specification for Piezo Buzzer(Self-drive)	Page	2/5
	Revision No.	1.0
Model No.: VSI3214LCPS12	Drawing No.	VS20221222010

**Table of contents**

- 1. Revision
- 2. Scope
- 3. General Characteristics
- 4. Electrical and Acoustic Characteristics.
- 5. Dimensions
- 6. Packing

**1. Revision**

Rev.No.	Date	Page	Description of Revision
1.0	2022/12/22		Preliminary

Specification for Piezo Buzzer(Self-drive)	Page	3/5
	Revision No.	1.0
	Drawing No.	VS20221222010
Model No. : VSI3214LCPS12		

## 2. Scope

This specification is applied to the piezo buzzer used for sounder in alarm systems, Please contact us when using this product for any other applications than described in the above.

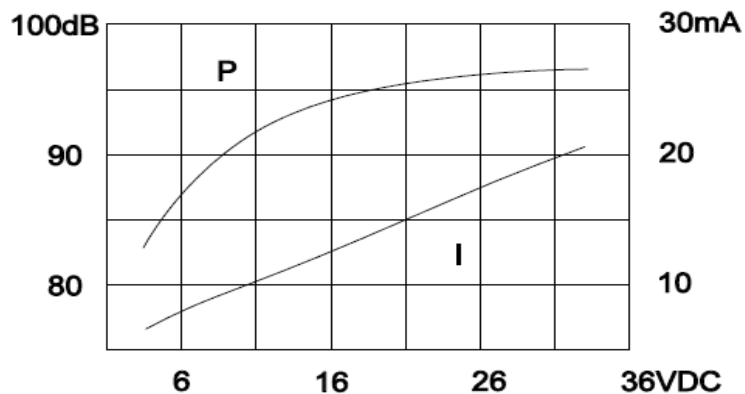
## 3. General

- 3.1 Out-Diameter : 32 mm
- 3.2 Height : 14 mm
- 3.3 Weight : 8 ±1g
- 3.4 Operating Temperature range:  
-20~+60°C without loss of function
- 3.5 Store Temperature range:  
-30~+70°C without loss of function

## 4. Electrical and Acoustic Characteristics.

Test condition : 15 ~ 35 °C, 25% ~ 85% RH, 860~1060 mbar

No	Items	Specification
1	Rated Voltage	12V DC
2	Working Voltage	3-30V DC
3	Max Rated Current	15mA/12VDC
4	Min Sound Preesure Level	90dB/12VDC/30cm
5	Resonant Frequency	3.7±0.5KHz
6	Tone Nature	Slow Pulse(1sound/2sec)+Tone
7	Housing Material	ABS
8	Color	White



# Specification for Piezo Buzzer(Self-drive)

Page

4/5

Revision No.

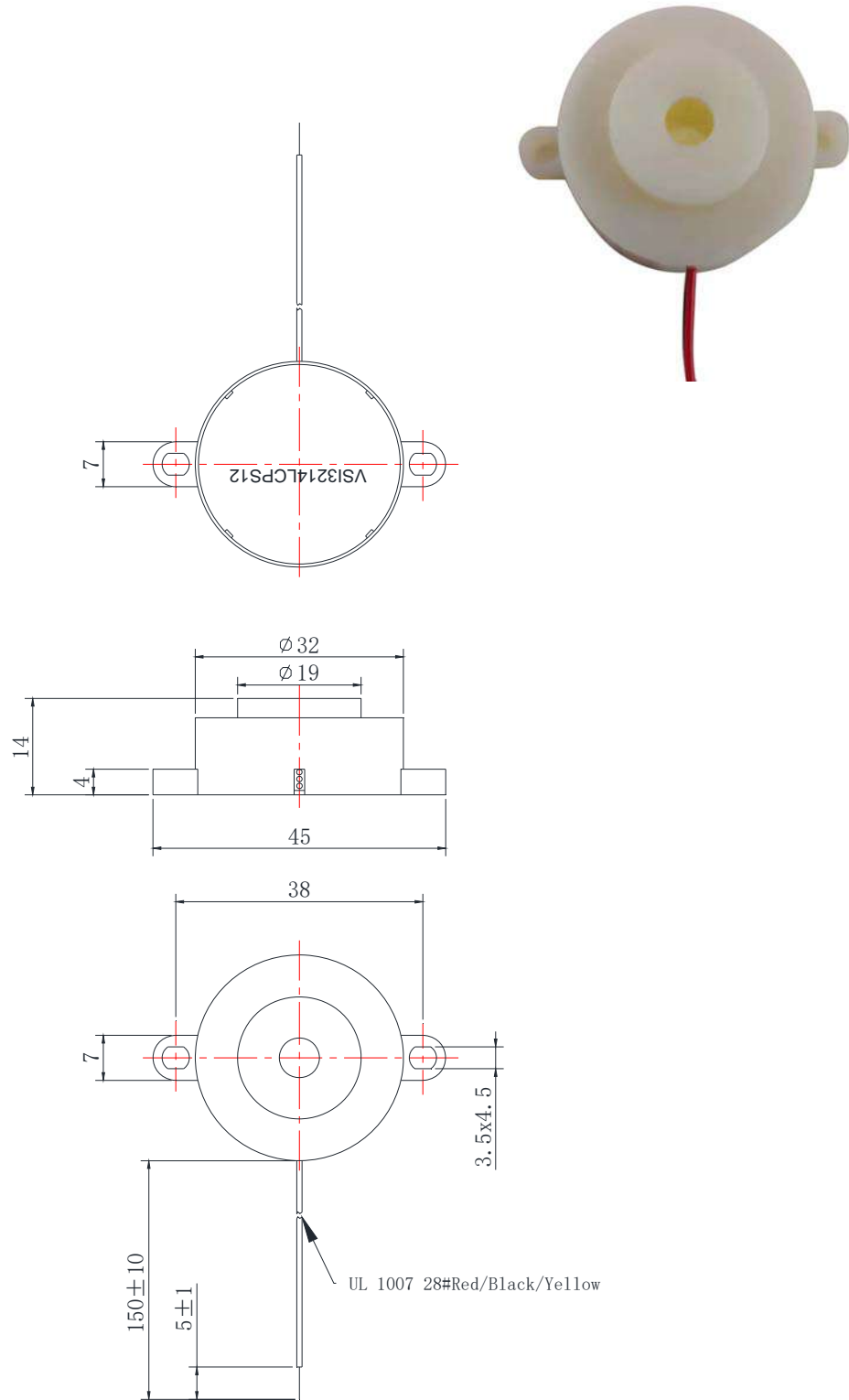
1.0

Model No. : VSI3214LCPS12

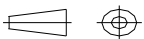
Drawing No.

VS20221222010

## 5. Dimensions



FIRST ANGLE PROJECTION



UNIT : mm  
Tolerance :  $\pm 1.5$