

SPECIFICATION

FOR APPRONAL

Customer : _____

Product Name : Piezo Buzzer(Self-drive) _____

Model Name : VSI4026F30L150PF _____

Drawing No. : VS20221230012 _____

Signature of Voise

Approved by	Checkde by	Issued by	Date

 **福爱斯电子有限公司**
VOISE ELECTRONICS CO.,LTD.

Address:No 96 Mogao Dongqian Lake Industial Area ningbo,China,
Tel:0086-0574-87773030;Fax:0086-0574-87471600 P.C.315121
<http://www.nbvoise.com> Email:sales@nbvoise.com

Specification for Piezo Buzzer(Self-drive)

Page

3/5

Revision No.

1.0

Model No. : VSI4026F30L150PF

Drawing No.

VS20221230012

2. Scope

This specification is applied to the siren used for sounder in alarm systems, Please contact us when using this product for any other applications than described in the above.

3. General

- 3.1 Out-Diameter : 40 mm
3.2 Height : 25.8 mm
3.3 Weight : 15 g
3.4 Operating Temperature range:
-20~+60°C without loss of function
3.5 Store Temperature range:
-30~+70°C without loss of function

4. Electrical and Acoustic Characteristics.

Test condition : 15 ~ 35 °C, 25% ~ 85% RH, 860~1060 mbar

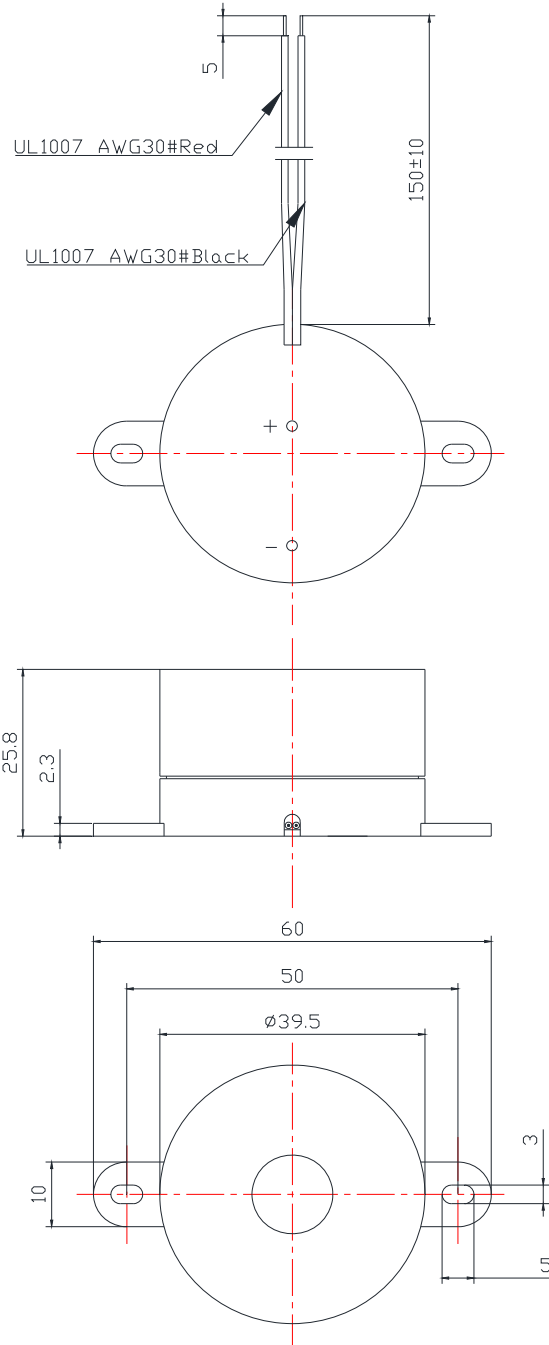
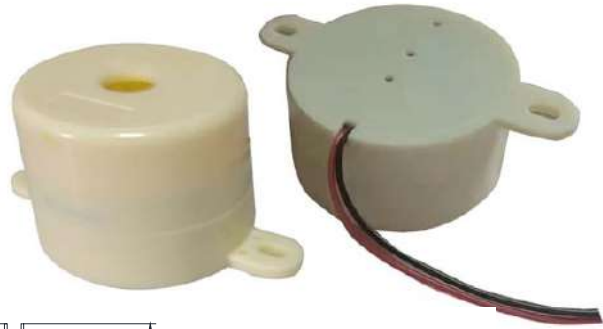
No	Items	Specification
1	Rated Voltage	12V DC
2	Working Voltage	9-28 DC
3	Max Rated Current	12mA/12VDC
4	Min Sound Pressure Level	95dB/12VDC/30cm
5	Resonant Frequency	3.0±0.5KHz
6	Tone Nature	Fast Pulse-2tone/1S
7	Housing Material	ABS
8	Color	Beige

Specification for Piezo Buzzer(Self-drive)

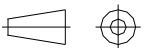
Page	4/5
Revision No.	1.0
Drawing No.	VS20221230012

Model No. : VSI4026F30L150PF

5. Dimensions



FIRST ANGLE PROJECTION



UNIT : mm

Tolerance : ±1.5

Specification for Piezo Buzzer(Self-drive)	Page	5/5
	Revision No.	1.0
Model No. : VSI4026F30L150PF	Drawing No.	VS20221230012

6. Packing

Each minimum package unit of products shall be in a carton box and it shall be clearly marked with Part Number ,quantity and outgoing inspection number.

There shall be no mechanical damage on products during in storage.