

SPECIFICATION

FOR APPRONAL

Customer : _____

Product Name : Piezo Buzzer(Self-drive)

Model Name : VSI4216LPF

Drawing No. : VS20200901011

Signature of Voice

Approved by	Checkde by	Issued by	Date



Office Add:Haoyangguang B-302# No.968 Baizhang Road,Ningbo China
Factory add: Shishan Industrial Park Moushan Town Yuyao City China
Tel:86-0574-87471601 Fax:86-0574-87471603 P.C.315000
Http://www.nbvoice.com E-mail:sales@nbvoice.com

1. General

- 3.1 Out-Diameter : 42 mm
- 3.2 Height : 16 mm
- 3.3 Weight : 13 ±3g
- 3.4 Operating Temperature range:-30~+80℃ without loss of function
- 3.5 Store Temperature range: -40~+85℃ without loss of function

Specification for Piezo Buzzer

Page 2/2

Revision No. 1.0

Model No. : VSI4216LPF

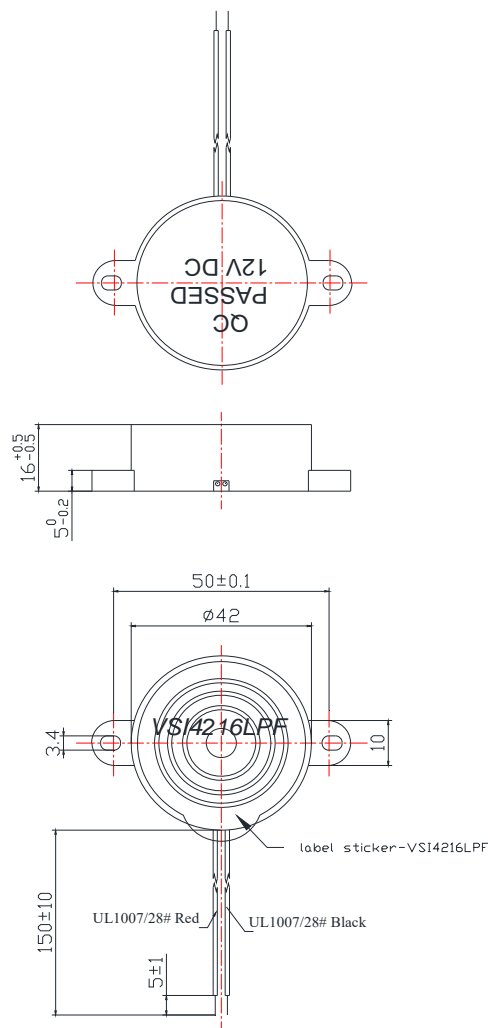
Drawing No. VS20200901011

2. Electrical and Acoustic Characteristics.

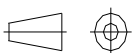
Test condition : 15 ~ 35 °C, 25% ~ 85% RH, 860~1060 mbar

No	Items	Specification
1	Rated Voltage	12V DC
2	Working Voltage	3-20 DC
3	Max Rated Current	20mA/12VDC
4	Min Sound Pressure Level	90dB/12VDC/30cm
5	Resonant Frequency	2.8±0.5KHz
6	Tone Nature	Pulse Fast(200-220 pulses per minute)
7	Housing Material/Color	PBT/Black

3. Dimensions



FIRST ANGLE PROJECTION



UNIT : mm

Tolerance : ± 1.5