

# SPECIFICATION

## FOR APPROVAL

Customer : Quartz1

---

Product Name : Siren with Strobe Light

---

Model Name : VSL-102-V12B

---

Drawing No. : VS20140227016

---

### Signature of Voice

Approved by	Checkde by	Issued by	Date



**福爱斯电子有限公司**  
VOISE ELECTRONICS CO.,LTD.

Office Add:Haoyangguang B-302# No.968 Baizhang Road,Ningbo China

Factory add: Shishan Industrial Park Moushan Town Yuyao City China

Tel:86-0574-87471601 Fax:86-0574-87471603 P.C.315000

Http://www.nbvoise.com E-mail:sales@nbvoise.com

Specification for Siren with Strobe Light	Page	2/5
	Revision No.	1.0
Model No.: VSL-102-V12B	Drawing No.	VS20140227016

## Table of contents

1. Revision
2. Scope
3. General Characteristics
4. Electrical and Acoustic Characteristics.
5. Dimensions
6. Packing

### 1. Revision

Rev.No.	Date	Page	Description of Revision
1.0	2019/1/30		Preliminary

Specification for Siren with Strobe Light	Page	3/5
	Revision No.	1.0
	Drawing No.	VS20140227016

Model No. : VSL-102-V12B

## 2. Scope

This specification is applied to the siren used for sounder in alarm systems, Please contact us when using this product for any other applications than described in the above.

## 3. General

- 2.1 Out-Diameter : 72x123 mm  
 2.2 Height : 35 mm  
 2.3 Weight : 130 ±10g  
 2.4 Operating Temperature range:  
       -20~+60°C without loss of function  
 2.5 Store Temperature range:  
       -30~+70°C without loss of function

## 4. Electrical and Acoustic Characteristics.

Test condition : 15 ~ 35 °C, 25% ~ 85% RH, 860~1060 mbar

No	Items	Specification
1	Power	15W
2	Rated Voltage	12V DC
3	Working Voltage	6-15V DC
4	Max Rated Current	150mA/12VDC
5	Piezo Frequency	2.3-4.3KHz
6	Case Material/Color	ABS/White
7	Lens Material/Color	Acrylic/Blue
8	Wires Connection	Red +12VDC、 Black GND
9	Strobe Source	LEDS
10	SPL	110dB at 1M
11	Sound	1Tone
12	Strobe Current	50mA(average)
13	Strobe Frequency	120-150 times/minute

# Specification for Siren with Strobe Light

Page

4/5

Revision No.

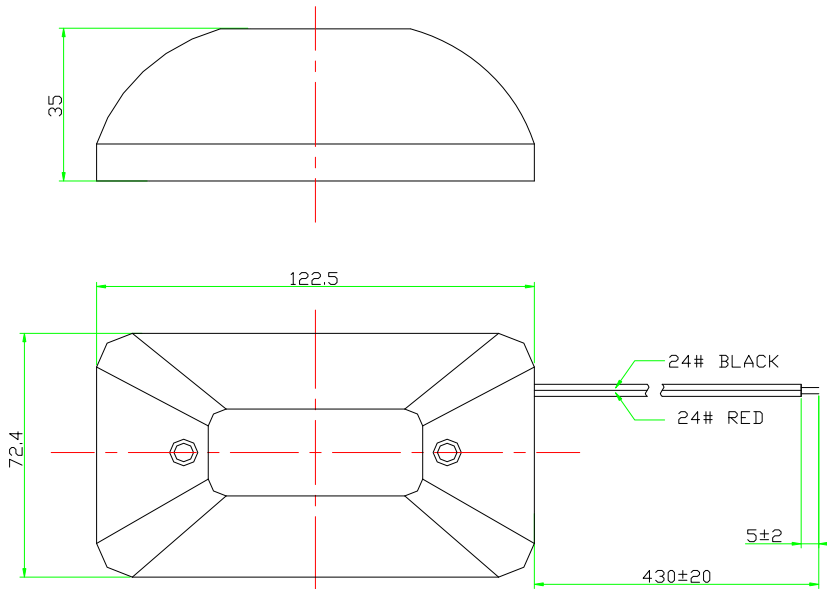
1.0

Model No. : VSL-102-V12B

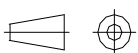
Drawing No.

VS20140227016

## 5. Dimensions



FIRST ANGLE PROJECTION



UNIT : mm

Tolerance : ±1.5

Specification for Siren with Strobe Light	Page	5/5
	Revision No.	1.0
Model No. : VSL-102-V12B	Drawing No.	VS20140227016

## 6. Packing

Each minimum package unit of products shall be in a carton box and it shall marked with Part Number ,quantity .There shall be no mechanical damage on products during tsansportation and/or in storage.

G.W./N.W.:14/13KGS  
Total:100 pcs per box  
Size:39X26X52CM