

# SPECIFICATION

## FOR APPRONAL

Customer : \_\_\_\_\_

Product Name : Piezo Buzzer

Model Name : VSR1740F40L150

Drawing No. : VS20230724011

### Signature of Voise

Approved by	Checkde by	Issued by	Date



Address:No 96 Mogao Dongqian Lake Industial Area ningbo,China,  
Tel:0086-0574-87773030;Fax:0086-0574-87471600 P.C.315121  
<http://www.nbvoise.com> Email:sales@nbvoise.com

<b>Specification for Piezo Buzzer</b>		Page	2/5
		Revision No.	1.0
Model No.:	VSR1740F40L150	Drawing No.	VS20230724011

## Table of contents

1. Revision
2. Scope
3. General Characteristics
4. Electrical and Acoustic Characteristics.
5. Dimensions
6. Packing

### 1. Revision

Rev.No.	Date	Page	Description of Revision
1.0	2023/7/24		Preliminary

<b>Specification for Piezo Buzzer</b>		Page	3/5
		Revision No.	1.0
Model No.:	VSR1740F40L150	Drawing No.	VS20230724011

## 2. Scope

This product specification is applied to the Buzzer in alarm systems. Please contact us when using this product for any other applications than described in the above.

## 3. General Characteristics

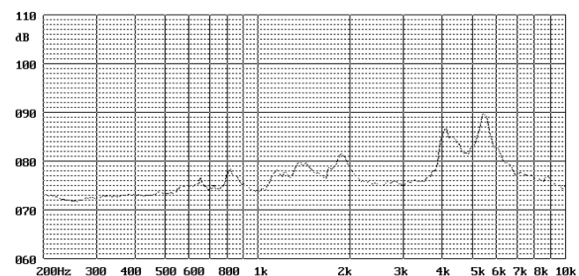
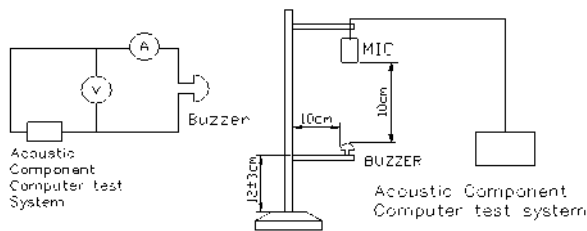
- 3.1 Out-Diameter : 17 mm
- 3.2 Height : 4 mm
- 3.3 Weight : 1.2 g
- 3.4 Operating Temperature : -20~+70°C without loss of function
- 3.5 Store Temperature : -30~+80°C without loss of function

## 4. Electrical and Acoustic Characteristics.

Test condition : 15 ~ 35 °C Temp., 25% ~ 75% RH, 86~106 kPa Refer to IEC60268-1

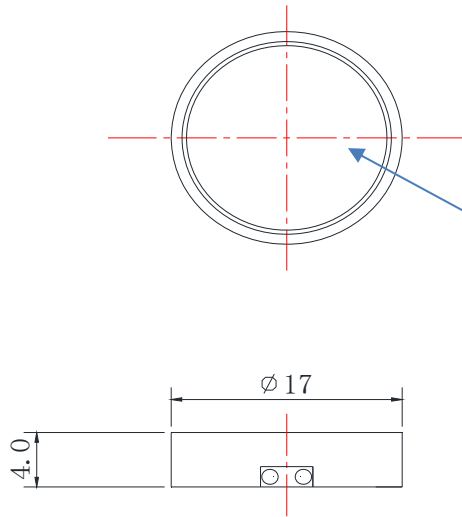
No	Items	Specification
1	Rated Voltage	5Vp-p square wave
2	Max Working Voltage	30Vp-p square wave
3	Max. Rated Current	10mA at 4.0KHz/5Vp-p Square Wave
4	Capacitance at 120Hz	15000±30%pF
5	Min Sound Preesure Level	80dB/5Vp-p square wave/10cm
6	Resonant Frequency	4.0±0.5KHz
7	Housing Material	PPO
8	Color	Black

### TEST METHOD & FREQUENCY RESPONSE

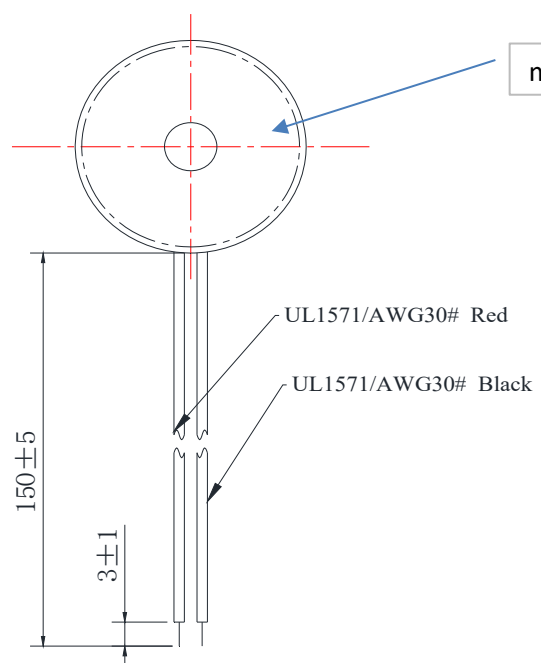


Specification for Piezo Buzzer		Page	4/5
		Revision No.	1.0
Model No.:	VSR1740F40L150	Drawing No.	VS20230724011

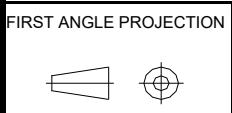
### 5. Dimensions



Double sided



masking label



UNIT : mm  
Tolerance : ±0.2

Specification for Piezo Buzzer		Page	5/5
		Revision No.	1.0
Model No.:	VSR1740F40L150	Drawing No.	VS20230724011

## 6. Packing

Each minimum package unit of products shall be in a carton box and it shall be clearly marked with Part Number ,quantity and outgoing inspection number.

There shall be no mechanical damage on products during in storage.