

SPECIFICATION

FOR APPRONAL

Customer : _____

Product Name : Piezo Buzzer _____

Model Name : VST2280F40W _____

Drawing No. : VS20230112015 _____

Signature of Voice

Approved by	Checkde by	Issued by	Date

Voice 福爱斯电子有限公司
ELECTRONIC VOISE ELECTRONICS CO.,LTD.

Address:No 96 Mogao Dongqian Lake Industial Area ningbo,China,
Tel:0086-0574-87773030;Fax:0086-0574-87471600 P.C.315121
<http://www.nbvoice.com> Email:sales@nbvoice.com

Specification for Piezo Buzzer		Page	3/5	
		Revision No.	1.0	
Model No.:	VST2280F40W		Drawing No.	VS20230112015

2. Scope

This product specification is applied to the Buzzer in alarm systems. Please contact us when using this product for any other applications than described in the above.

3. General Characteristics

- 3.1 Out-Diameter : 22 mm
- 3.2 Height : 8 mm
- 3.3 Weight : 2.5 g
- 3.4 Operating Temperature : -20~+60°C without loss of function
- 3.5 Store Temperature : -30~+70°C without loss of function

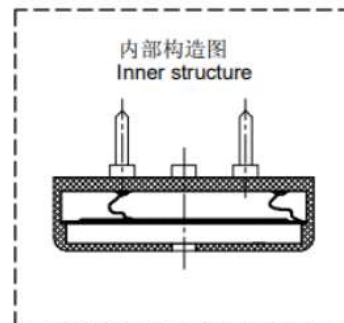
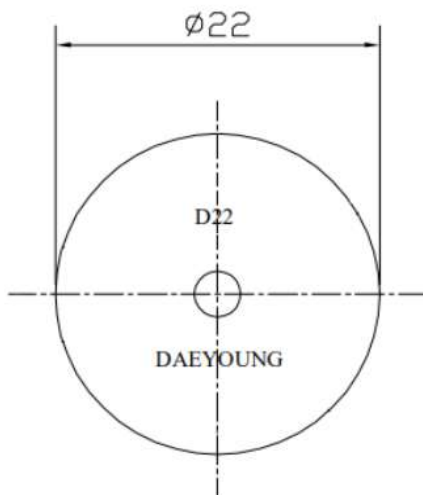
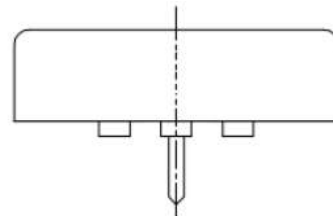
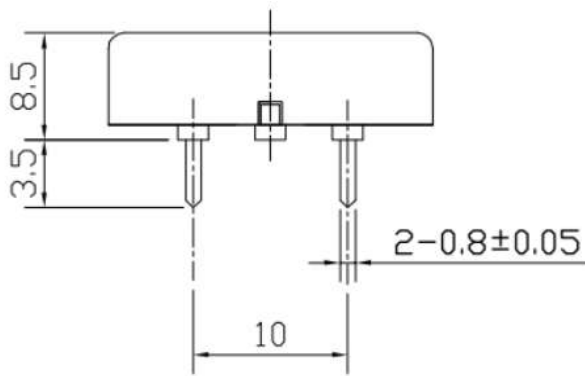
4. Electrical and Acoustic Characteristics.

Test condition : 15 ~ 35 °C Temp., 25% ~ 75% RH, 86~106 kPa Refer to IEC60268-1

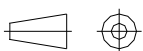
No	Items	Specification
1	Rated Voltage	9Vp-p square wave
2	Max Working Voltage	30Vp-p square wave
3	Max. Rated Current	3mA at 4KHz/9Vp-p Square Wave
4	Capacitance at 120Hz	15000±30%pF
5	Min Sound Pressure Level	90dB/9Vp-p square wave/10cm
6	Resonant Frequency	4.0±0.5KHz
7	Housing Material	ABS
8	Color	Original color (本色)

Specification for Piezo Buzzer		Page	4/5
		Revision No.	1.0
Model No.:	VST2280F40W	Drawing No.	VS20230112015

5. Dimensions



FIRST ANGLE PROJECTION



UNIT : mm

Tolerance : ±0.2

Specification for Piezo Buzzer		Page	5/5
		Revision No.	1.0
Model No.:	VST2280F40W	Drawing No.	VS20230112015

6. Packing

Each minimum package unit of products shall be in a carton box and it shall be clearly marked with Part Number ,quantity and outgoing inspection number.

There shall be no mechanical damage on products during in storage.