

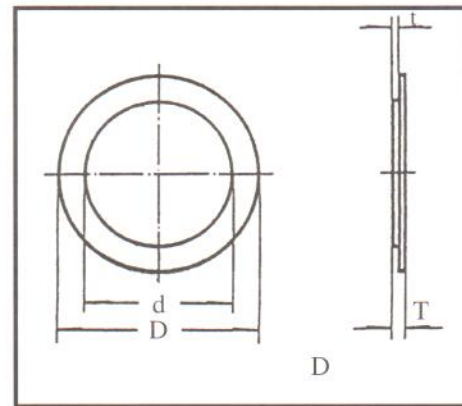
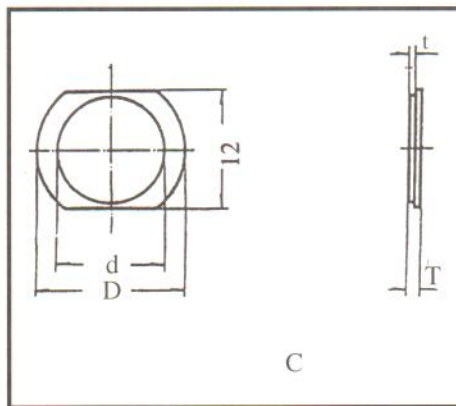
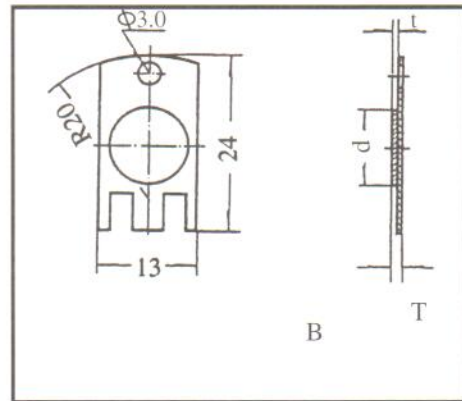
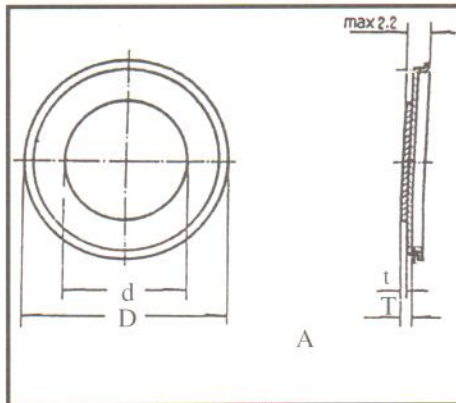
PIEZOCERAMIC ELEMENTS



External Drive (General Type)

Model NO.	Resonant Frequency (KHz)	Resonant Impedance (Ω) max	Static Capacitance (pF) \pm 30%	Shape	Dimensions(mm)				Plate Material
					D \pm 0.1	d \pm 0.2	T \pm 0.05	t \pm 0.03	
XZ-12B-16E	16.5 \pm 1.0	800	6000	A	12	9	0.45	0.25	Brass
XZ-13BL-13E	13.0 \pm 1.0	500	9000	B	24 \pm 13	11	0.45	0.25	Brass

Shape for External-Drive Type



Shape for self/-Drive Type

