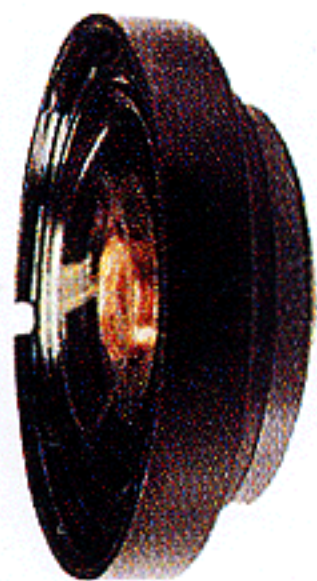
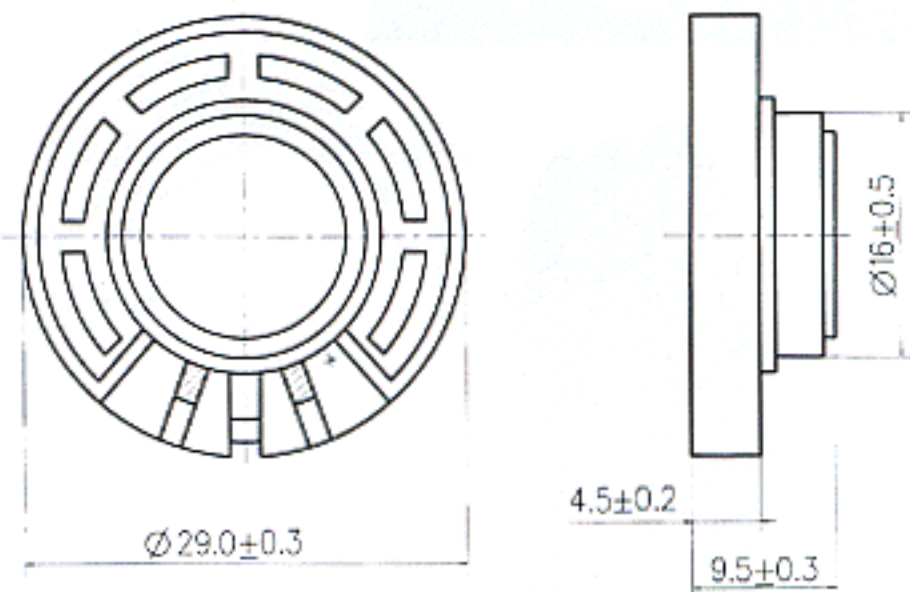


# YDB29-1



## DIMENSIONS



## SPECIFICATIONS

Rated Impedance	$\Omega$	$8 \pm 20\%$
Rated(Max.)Power	W	0.1(0.2)
Resonance Frequency	Hz	$600 \pm 25\%$
Rated Freq.Range	Hz	$f_0 \sim 3500$
Sound Pressure Level	dB	$78 \pm 3$
Magnet	g	3.7
Operating Temperature	$^{\circ}\text{C}$	$-10 \sim +40$

## FREQUENCY RESPONSE

